

Monoblock - Sectional Valve

Monoblock - Sectional Valve for Hydraulic Pumps and Hydraulic Motors

Designation;

Monoblock - Sectional Valve



Hidrapac **Store**

www.HIDRAPAC.com.tr

Contents

Hydraulic Directional Valve	3
Hydraulic Distributor Valve	4
Hydraulic Limit Control Valve	5
Trailer Valve	6

Monoblock Valve -7-

40 Lt. Monoblock Valve

40 Lt. 1P

45 Lt. Monoblock Valve

45 Lt. 1P

45 Lt. 2P

45 Lt. 3P

45 Lt. 4P

45 Lt. 5P

45 Lt. 6P

80 Lt. Monoblock Valve

80 Lt. 1P

80 Lt. 2P

80 Lt. 3P

80 Lt. 4P

80 Lt. 5P

80 Lt. 6P

Sectional Valve -21-

80 Lt. Sectional Valve

80 Lt. 1P

80 Lt. 2P

80 Lt. 3P

80 Lt. 4P

80 Lt. 5P

80 Lt. 6P

80 Lt. 7P

80 Lt. 8P

150 Lt. Sectional Valve

150 Lt. 1P

150 Lt. 2P

150 Lt. 3P

150 Lt. 4P

150 Lt. 5P

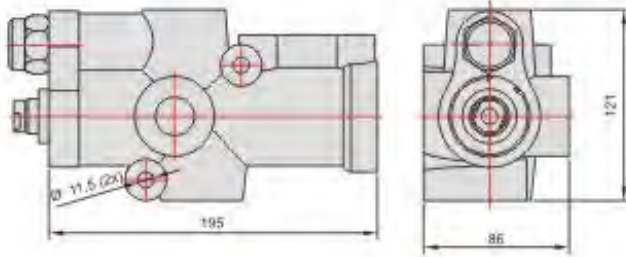
150 Lt. 6P

150 Lt. 7P

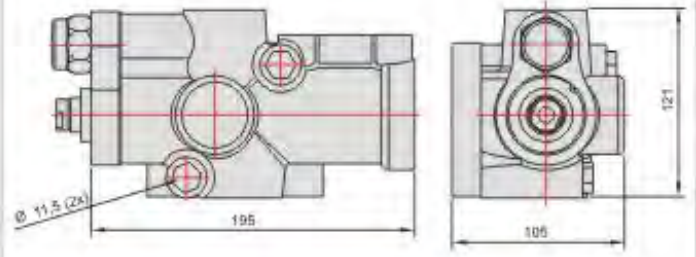
150 Lt. 8P

Hydraulic Directional Valve

36001010 / 36001011
36001012



36001020 / 36001021
36001022

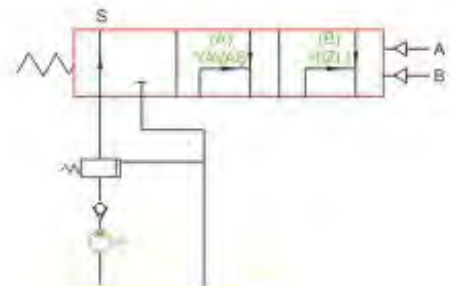
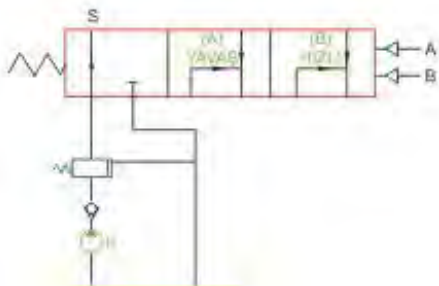
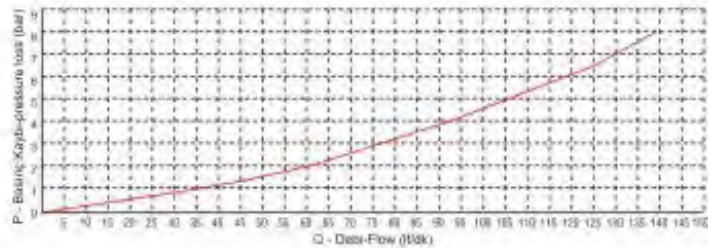
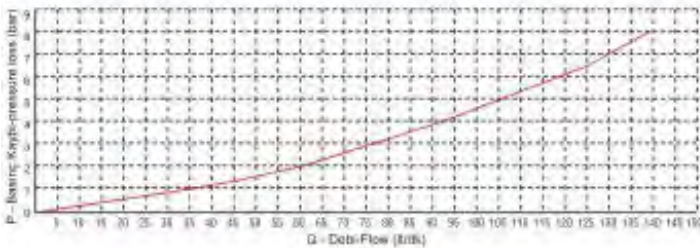


GENEL BİLGİLER/GENERAL DATA

VENTİL KODU VALVE CODE	3/4"Rakorlu 3/4"Fitting 36001010	1"Düz Rakorlu 1"Straight Fitting 36001011	1"Ters Rakorlu 1"Reverse Fitting 36001012
Debi Hızı / Flow Rate	110 lt/dk	140 lt/dk	140 lt/dk
Max. Basınç / Max. Press.	190 bar	190 bar	190 bar
Çal. Basıncı / Working Press.	170 bar	170 bar	170 bar
Ağırlık / Weight(kg)	6 kg	6 kg	6 kg
Max. Pnömatik Basınç Max. Pneumatic Press.	12 bar	12 bar	12 bar
Akışkan / Fluid	Mineral bazlı hidrolik yağ / Mineral based hydraulic oil		

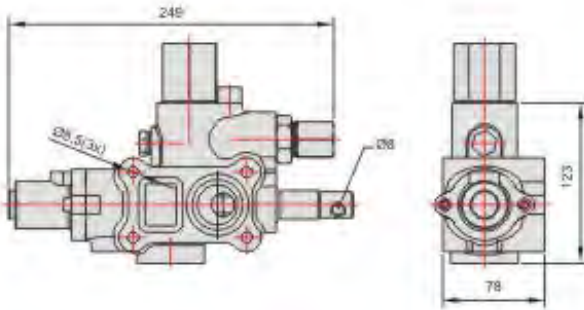
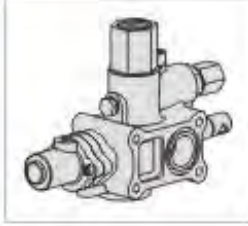
GENEL BİLGİLER/GENERAL DATA

VENTİL KODU VALVE CODE	3/4"Rakorlu 3/4"Fitting 36001020	1"Düz Rakorlu 1"Straight Fitting 36001021	1"Ters Rakorlu 1"Reverse Fitting 36001022
Debi Hızı / Flow Rate	110 lt/dk	140 lt/dk	140 lt/dk
Max. Basınç / Max. Press.	190 bar	190 bar	190 bar
Çal. Basıncı / Working Press.	170 bar	170 bar	170 bar
Ağırlık / Weight(kg)	7,5 kg	7,5 kg	7,5 kg
Max. Pnömatik Basınç Max. Pneumatic Press.	12 bar	12 bar	12 bar
Akışkan / Fluid	Mineral bazlı hidrolik yağ / Mineral based hydraulic oil		

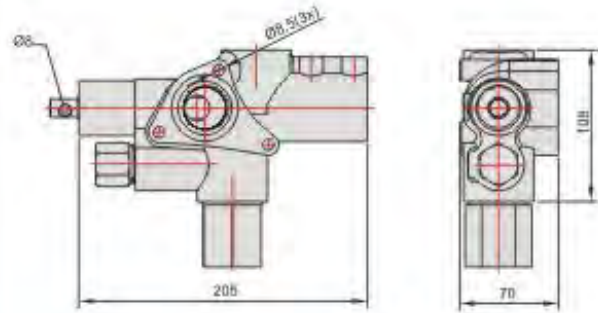


Hydraulic Distributor Valve

36001030 / 36001031



36001060

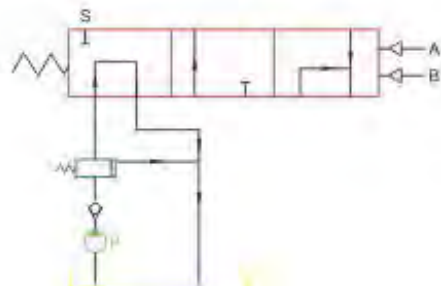
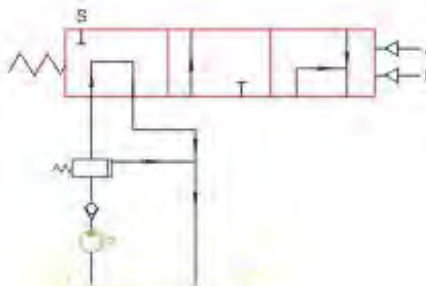
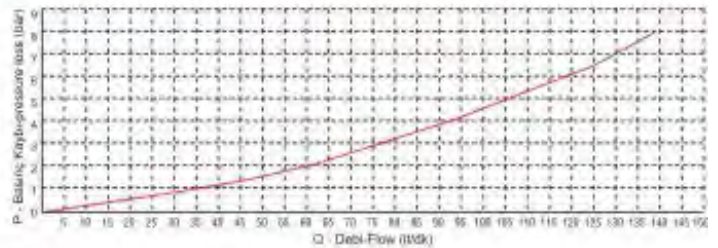
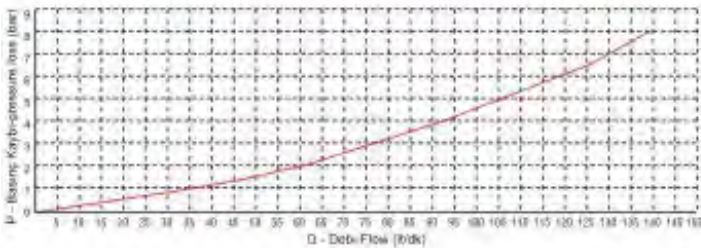


GENEL BİLGİLER/GENERAL DATA

VENTİL KODU VALVE CODE	1" Rakorlu 1" Fitting 36001030	1" Tank Tipi 1" Tank Type 36001031
Debi Hızı / Flow Rate	110 lt/dk	110 lt/dk
Max. Basınç / Max. Press.	190 bar	190 bar
Çal. Basıncı / Working Press.	170 bar	170 bar
Ağırlık / Weight(kg)	5,5 kg	5,5 kg
Max. Pnömatik Basınç Max. Pneumatic Press.	12 bar	12 bar
Akışkan / Fluid	Mineral bazlı hidrolik yağ Mineral based hydraulic oil	

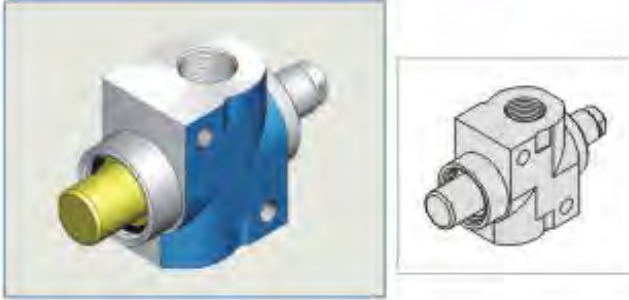
GENEL BİLGİLER/GENERAL DATA

VENTİL KODU VALVE CODE	1" Rakorlu 1" Fitting 36001060
Debi Hızı / Flow Rate	110 lt/dk
Max. Basınç / Max. Press.	190 bar
Çal. Basıncı / Working Press.	170 bar
Ağırlık / Weight(kg)	3,8 kg
Max. Pnömatik Basınç Max. Pneumatic Press.	12 bar
Akışkan / Fluid	Mineral bazlı hidrolik yağ Mineral based hydraulic oil

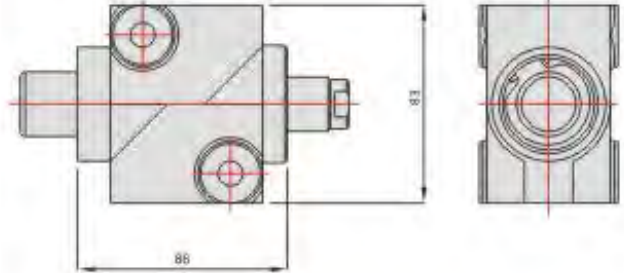
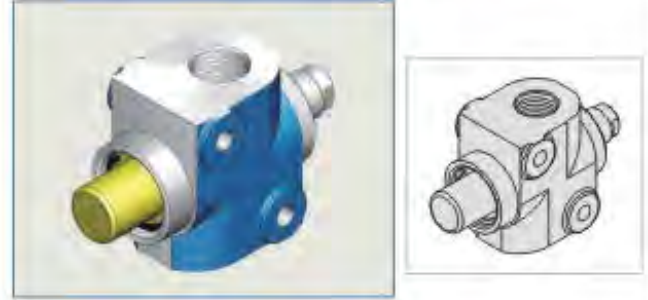


Hydraulic Limit Control Valve

36001520 / 36001521



36001510 / 36001511

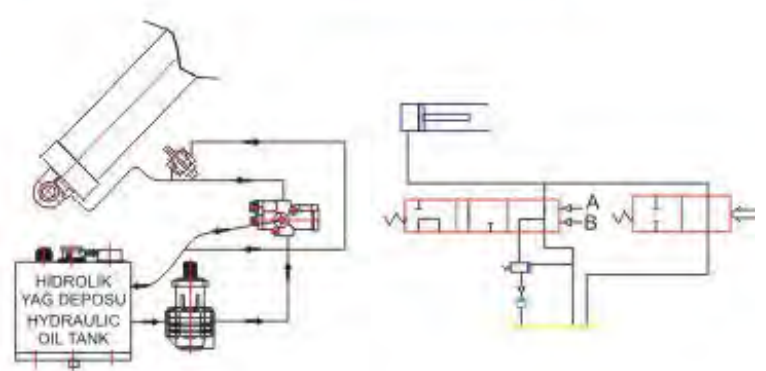
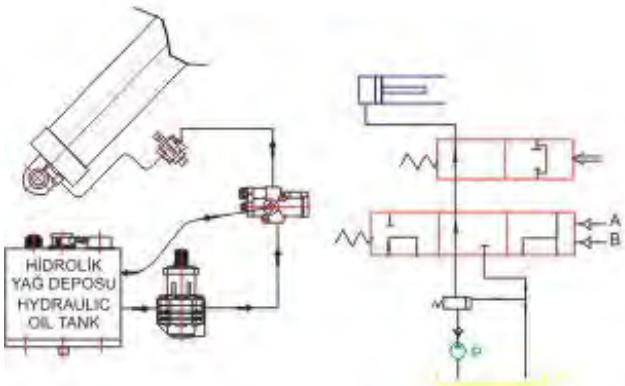


GENEL BİLGİLER/GENERAL DATA

VENTİL KODU VALVE CODE	3/4"Rakorlu 3/4" Fittings	1" Rakorlu 1" Fittings
	36001520	36001521
Debi Hızı / Flow Rate	110 lt/dk	140 lt/dk
Max. Basınç / Max. Press.	190 bar	190 bar
Ağırlık / Weight(kg)	1,9 kg	1,9 kg
Akışkan / Fluid	Mineral bazlı hidrolik yağ Mineral based hydraulic oil	

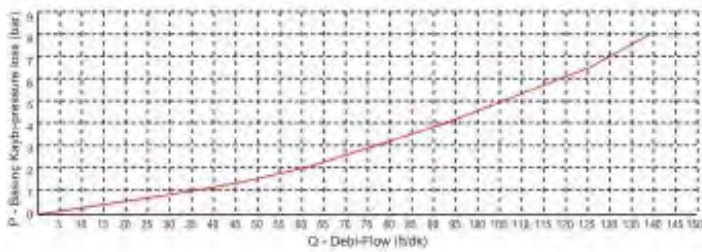
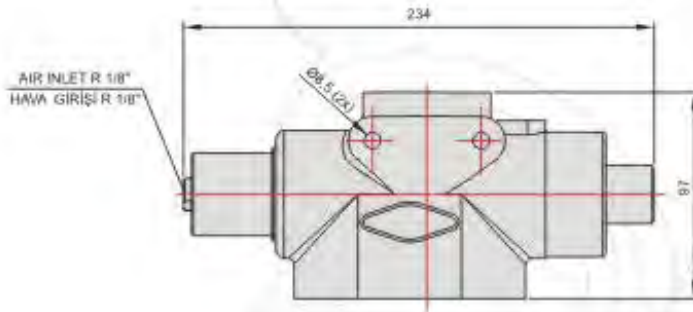
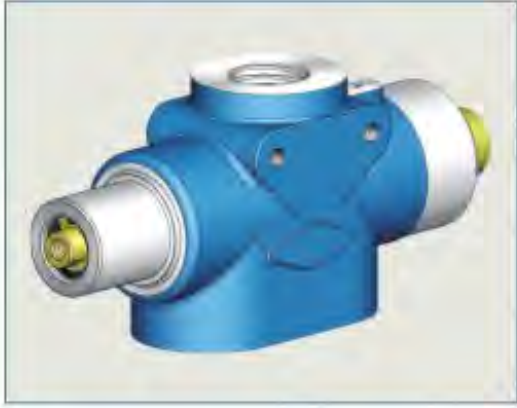
GENEL BİLGİLER/GENERAL DATA

VENTİL KODU VALVE CODE	3/4"Rakorlu 3/4" Fittings	1" Rakorlu 1" Fittings
	36001510	36001511
Debi Hızı / Flow Rate	110 lt/dk	140 lt/dk
Max. Basınç / Max. Press.	190 bar	190 bar
Ağırlık / Weight(kg)	1,9 kg	1,9 kg
Akışkan / Fluid	Mineral bazlı hidrolik yağ Mineral based hydraulic oil	



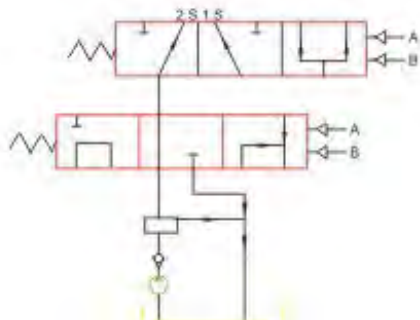
Trailer Valve

36001040



GENEL BİLGİLER/GENERAL DATA

VENTİL KODU VALVE CODE	1"Düz Rakorlu 1" Straight Fitting 36001040
Debi Hızı / Flow Rate	140 lt/dk
Max. Basınç / Max. Press.	190 bar
Ağırlık / Weight(kg)	7,5 kg
Max. Pnömatik Basınç Max. Pneumatic Press.	12 bar
Akışkan / Fluid	Mineral bazlı hidrolik yağ Mineral based hydraulic oil



Monoblock Valve

40 Lt. Monoblock Valve

40 Lt. 1P



45 Lt. Monoblock Valve

45 Lt. 1P

45 Lt. 2P

45 Lt. 3P

45 Lt. 4P

45 Lt. 5P

45 Lt. 6P



80 Lt. Monoblock Valve

80 Lt. 1P

80 Lt. 2P

80 Lt. 3P

80 Lt. 4P

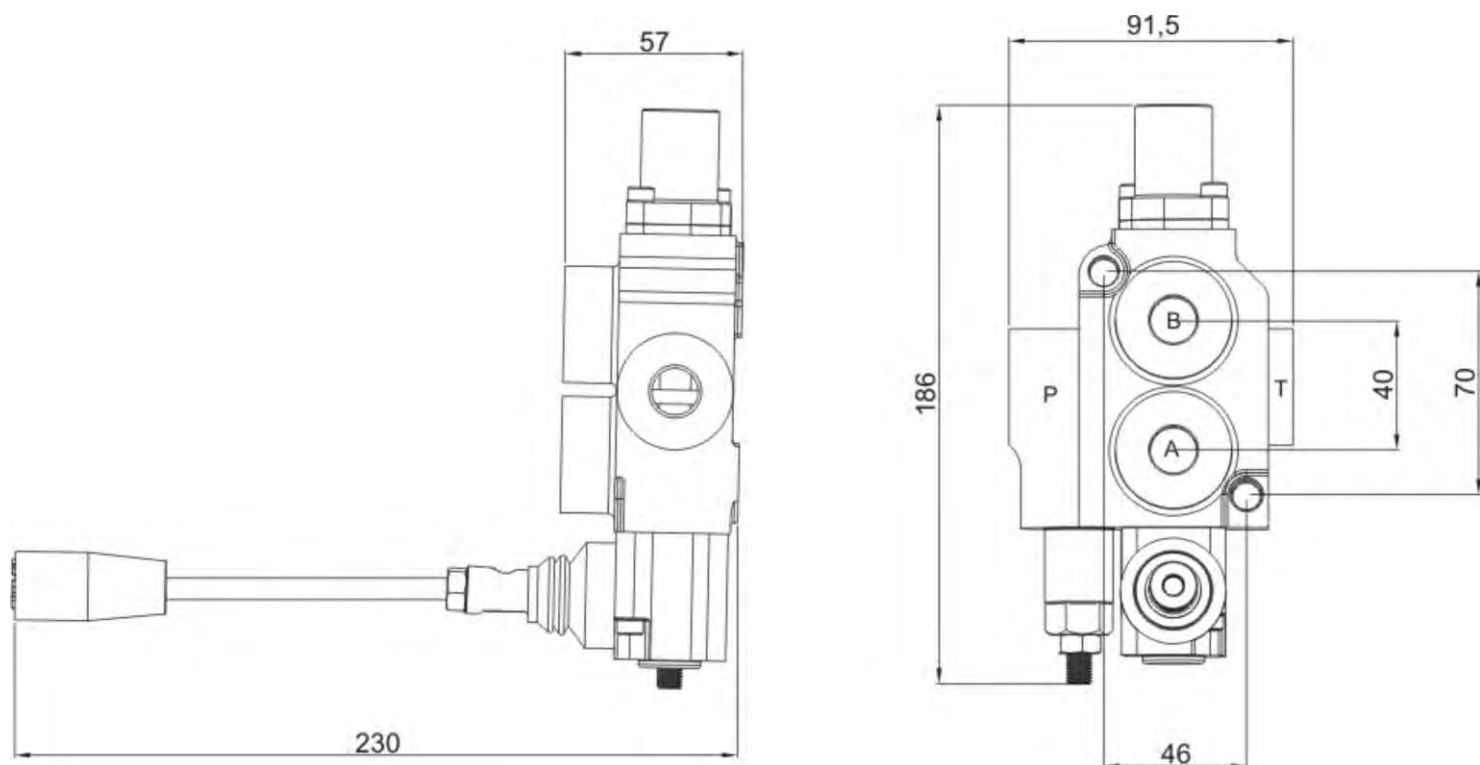
80 Lt. 5P

80 Lt. 6P



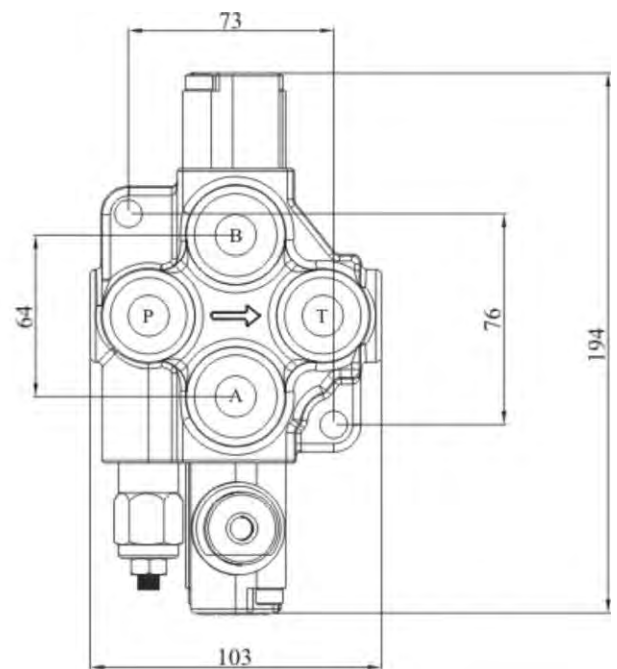
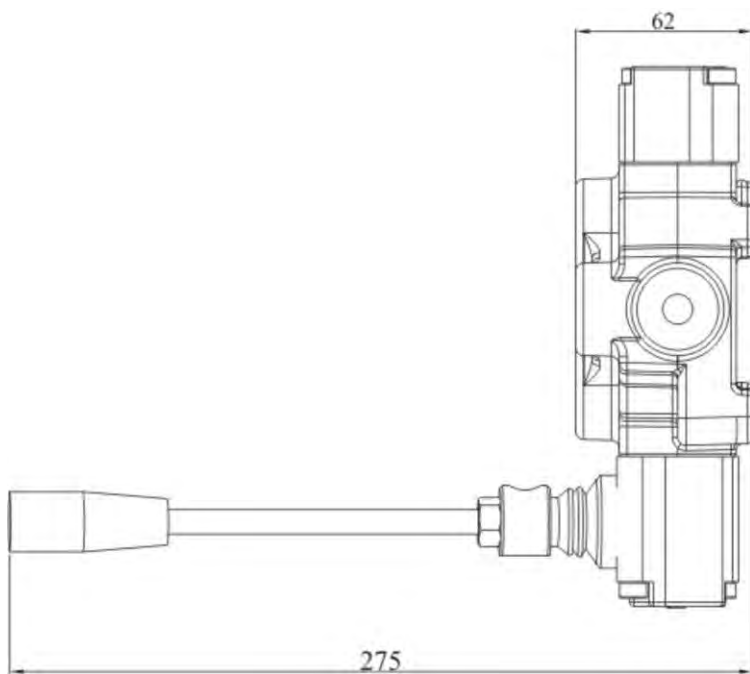
40 Lt. Monoblock Valve

1P



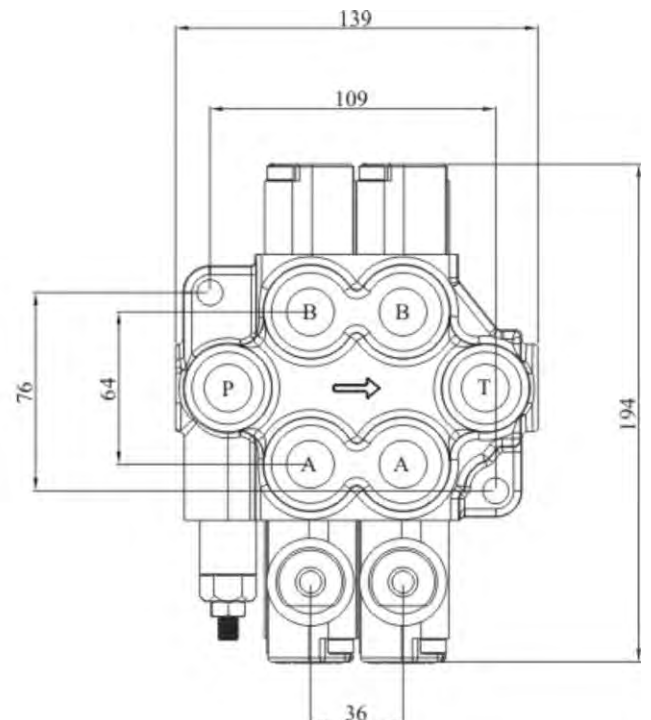
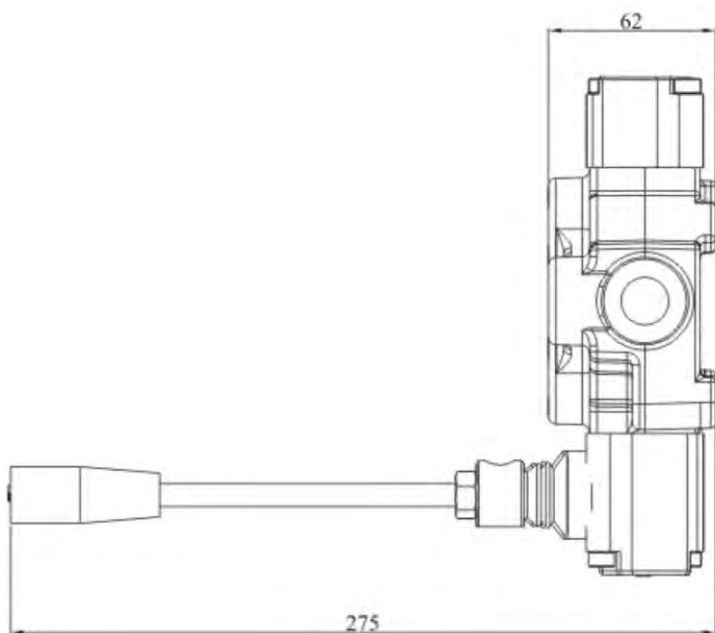
45 Lt. Monoblock Valve

1P



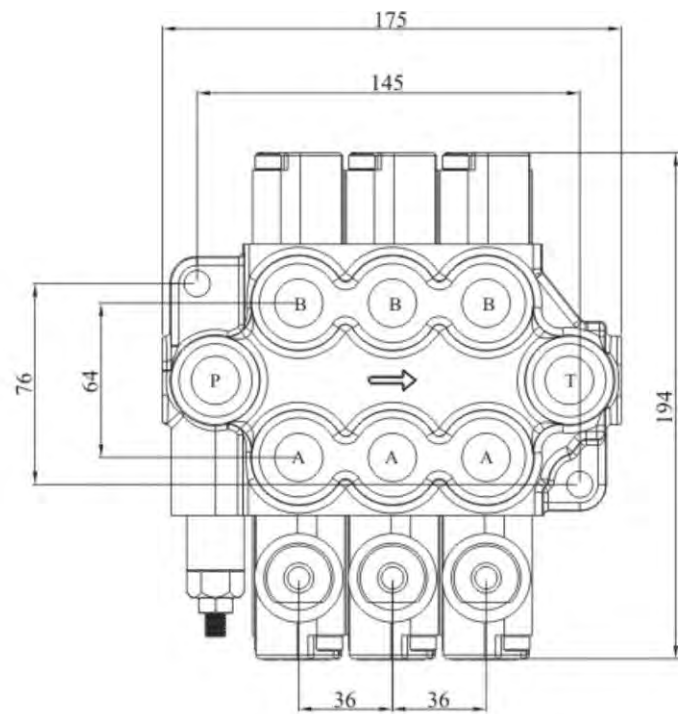
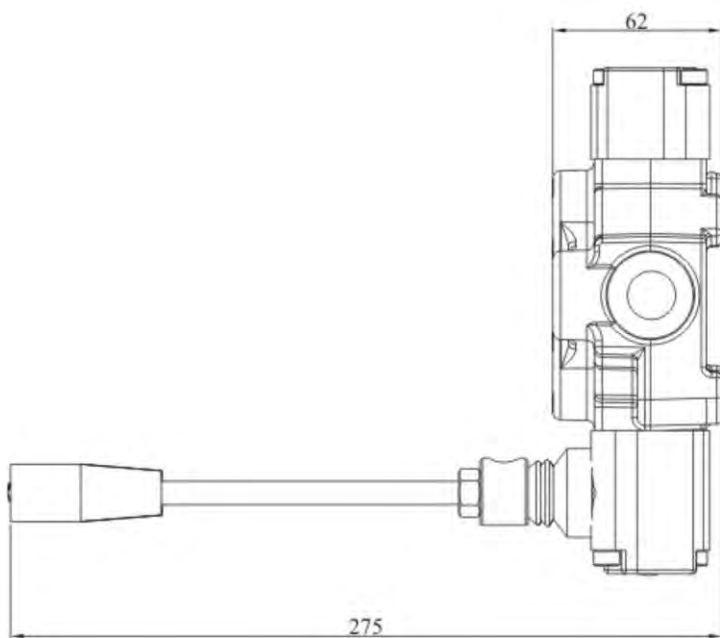
45 Lt. Monoblock Valve

2P



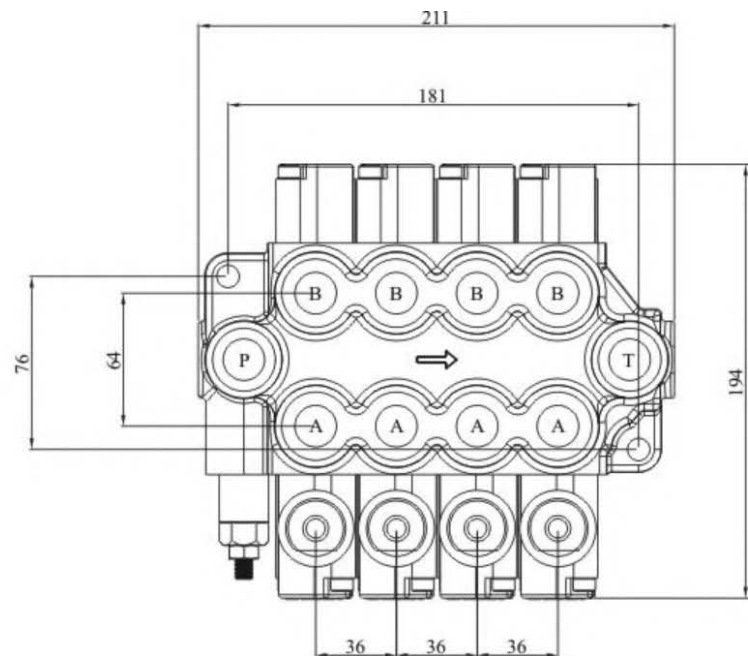
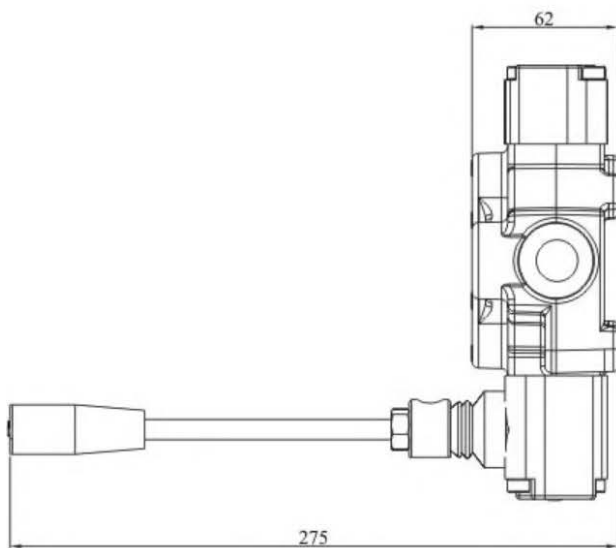
45 Lt. Monoblock Valve

3P



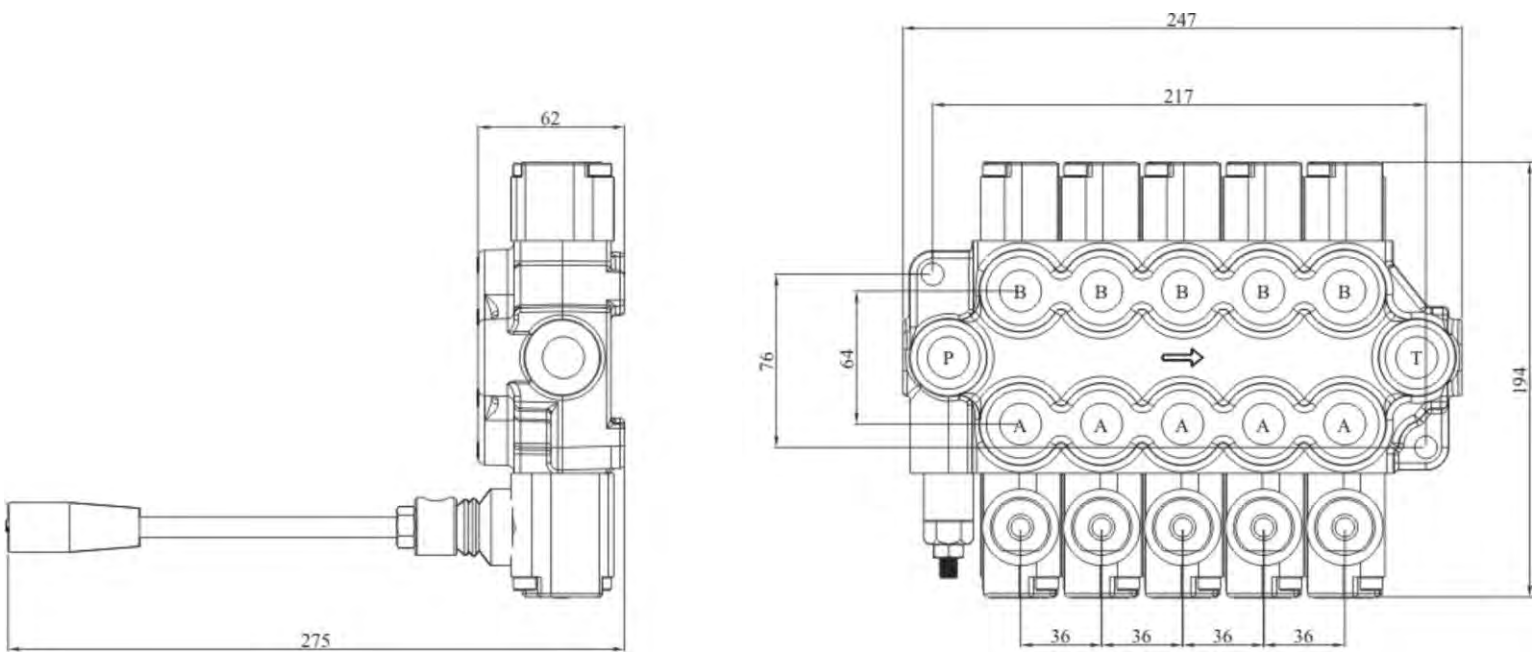
45 Lt. Monoblock Valve

4P



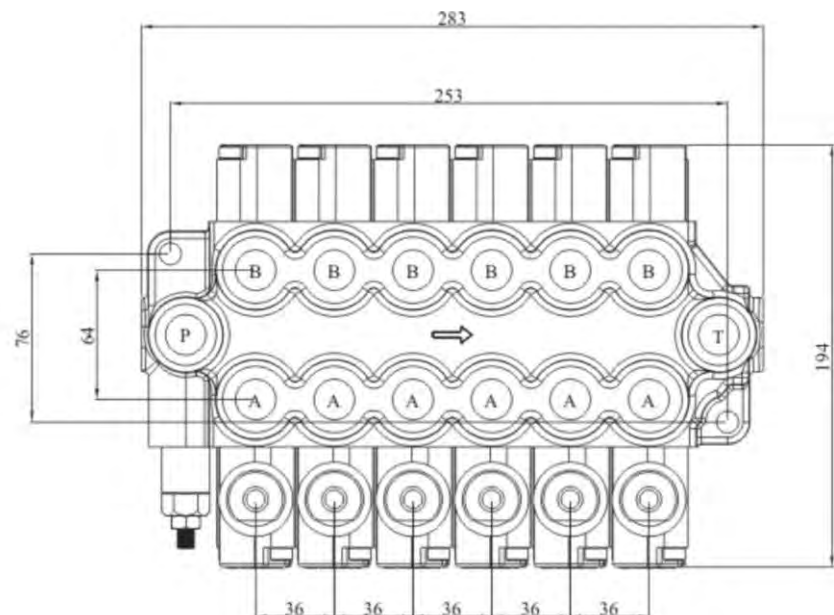
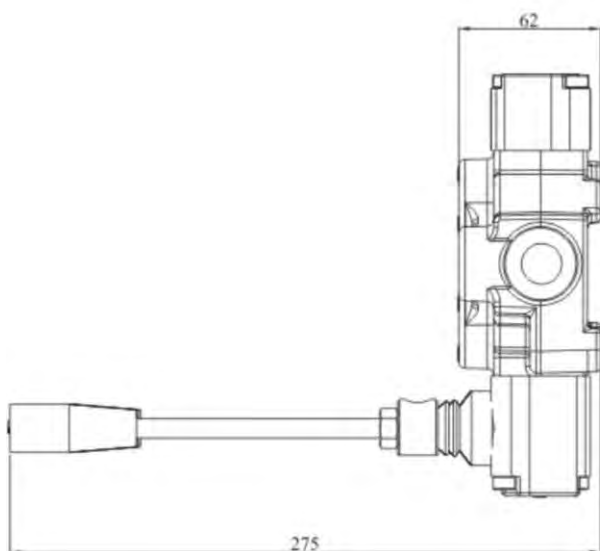
45 Lt. Monoblock Valve

5P



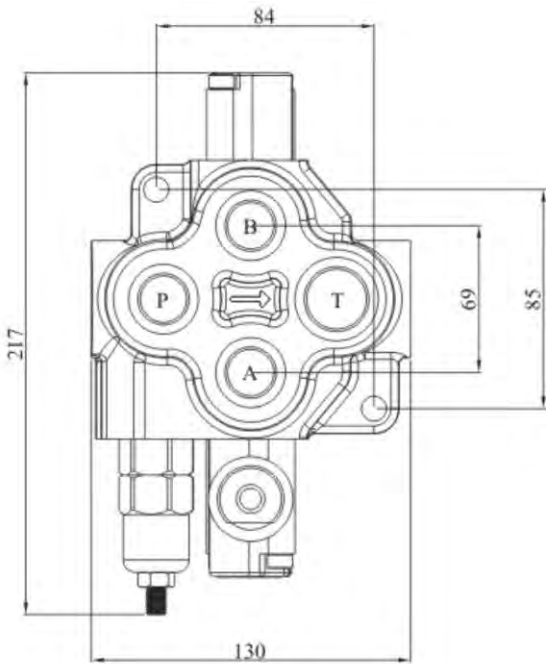
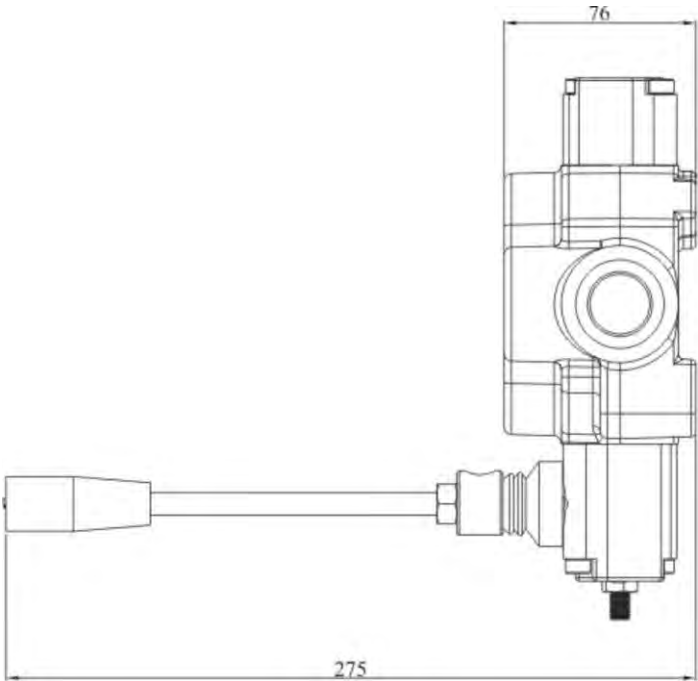
45 Lt. Monoblock Valve

6P



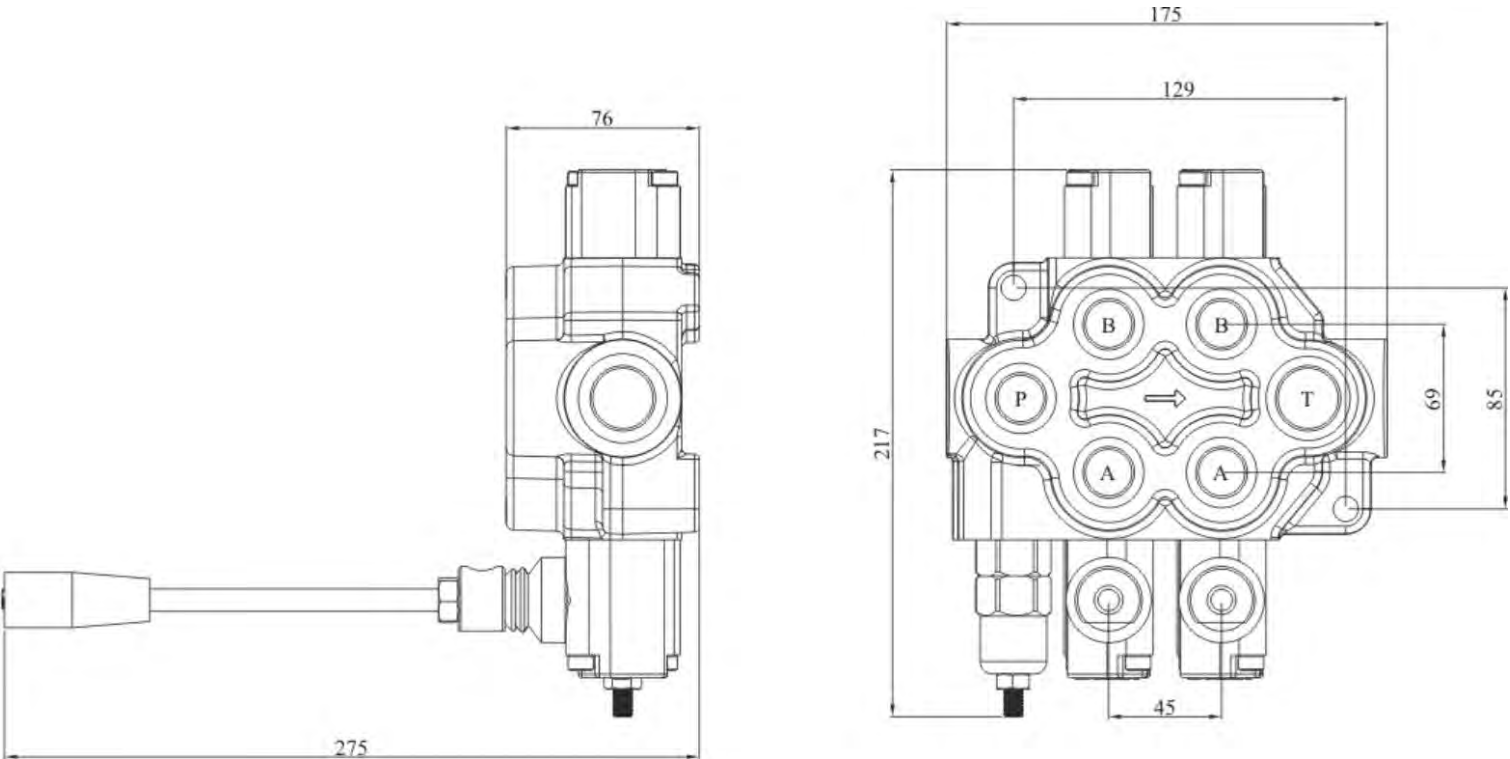
80 Lt. Monoblock Valve

1P



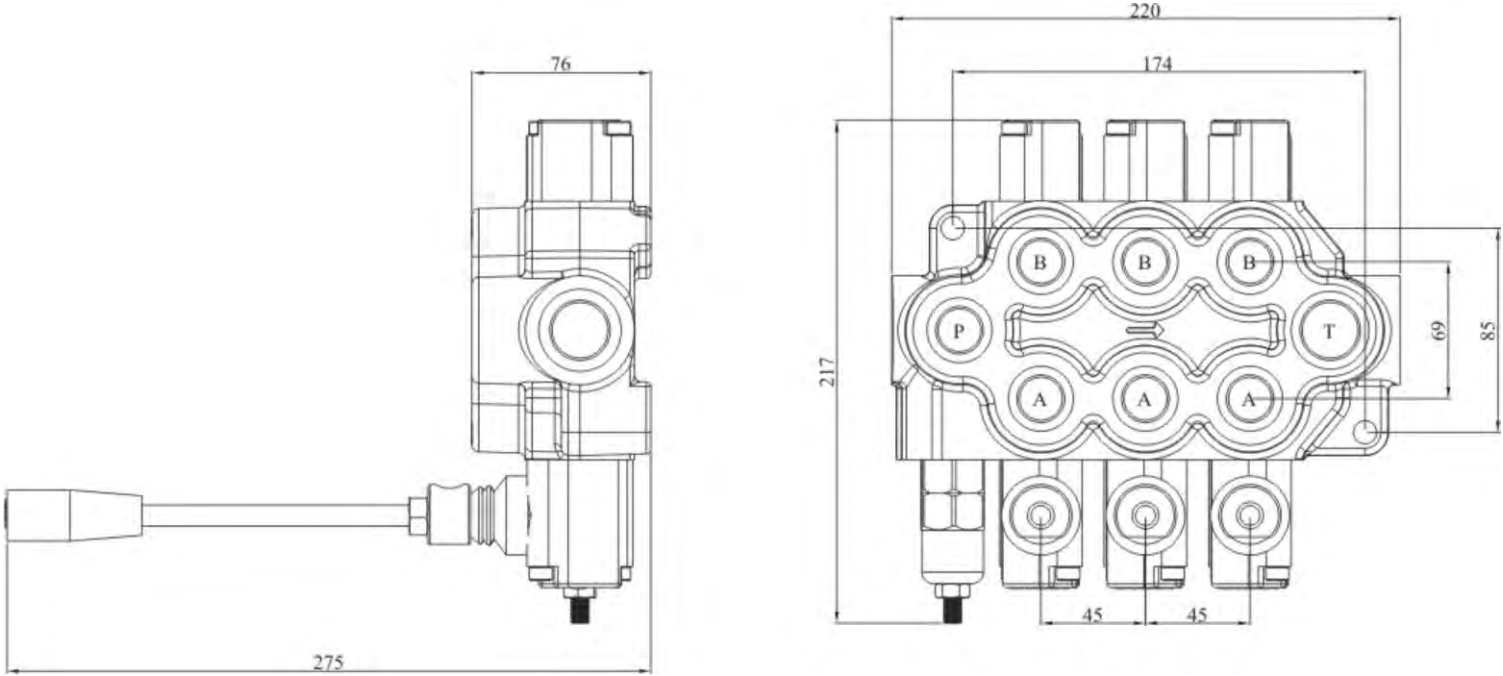
80 Lt. Monoblock Valve

2P



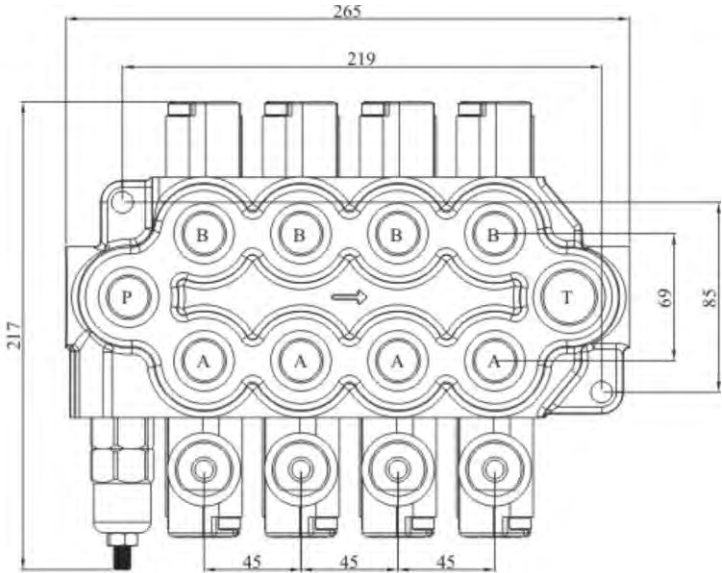
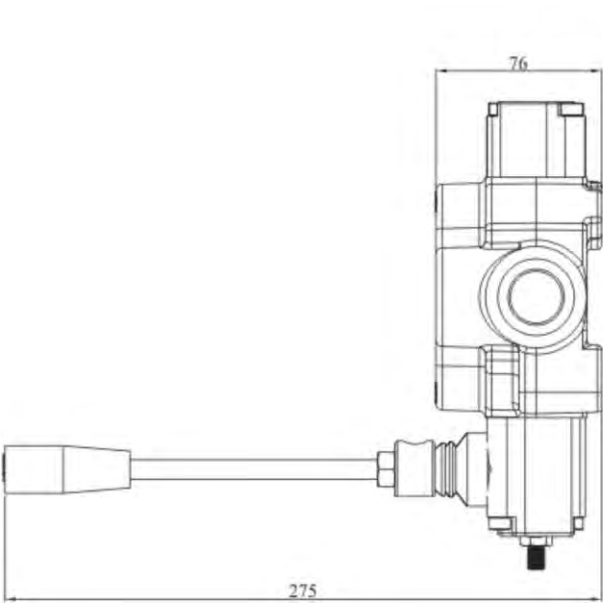
80 Lt. Monoblock Valve

3P



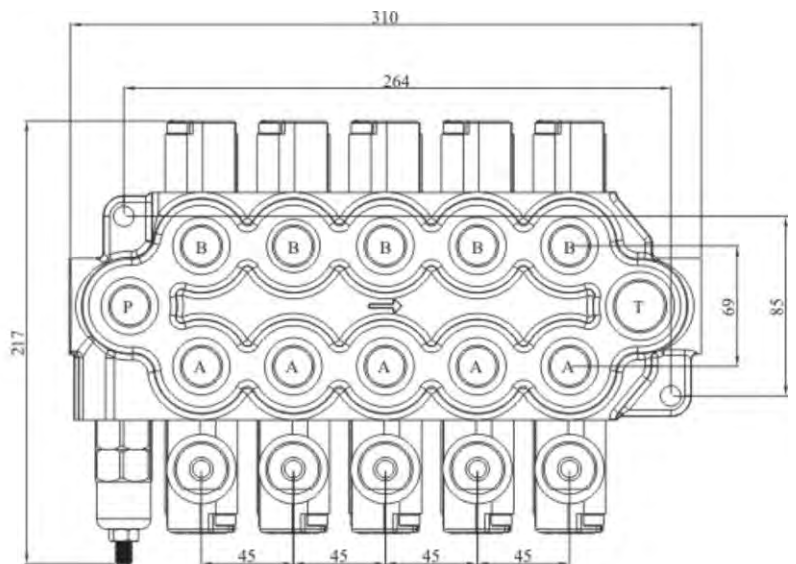
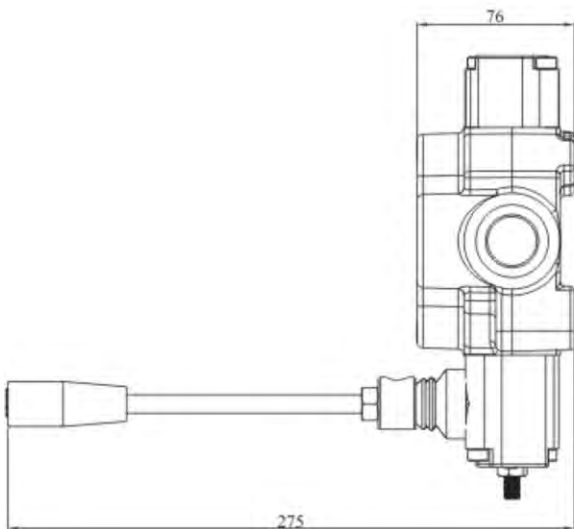
80 Lt. Monoblock Valve

4P



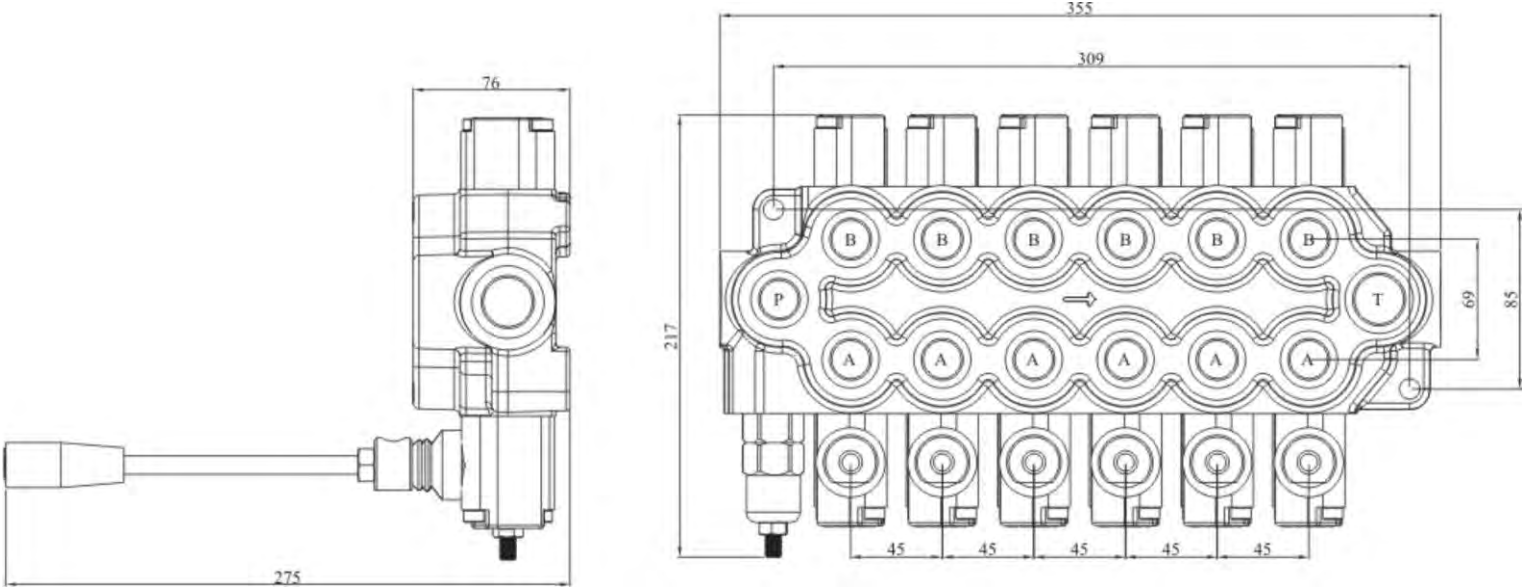
80 Lt. Monoblock Valve

5P



80 Lt. Monoblock Valve

6P



Sectional Valve

80 Lt. Sectional Valve

80 Lt. 1P

80 Lt. 2P

80 Lt. 3P

80 Lt. 4P

80 Lt. 5P

80 Lt. 6P

80 Lt. 7P

80 Lt. 8P



150 Lt. Sectional Valve

150 Lt. 1P

150 Lt. 2P

150 Lt. 3P

150 Lt. 4P

150 Lt. 5P

150 Lt. 6P

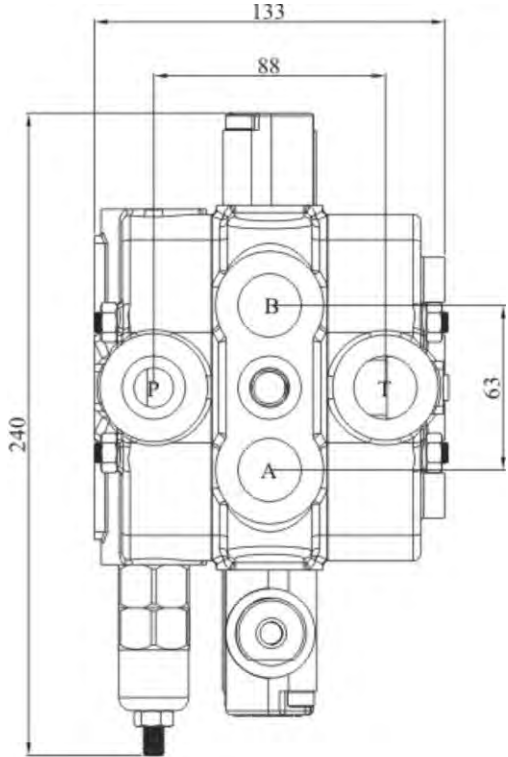
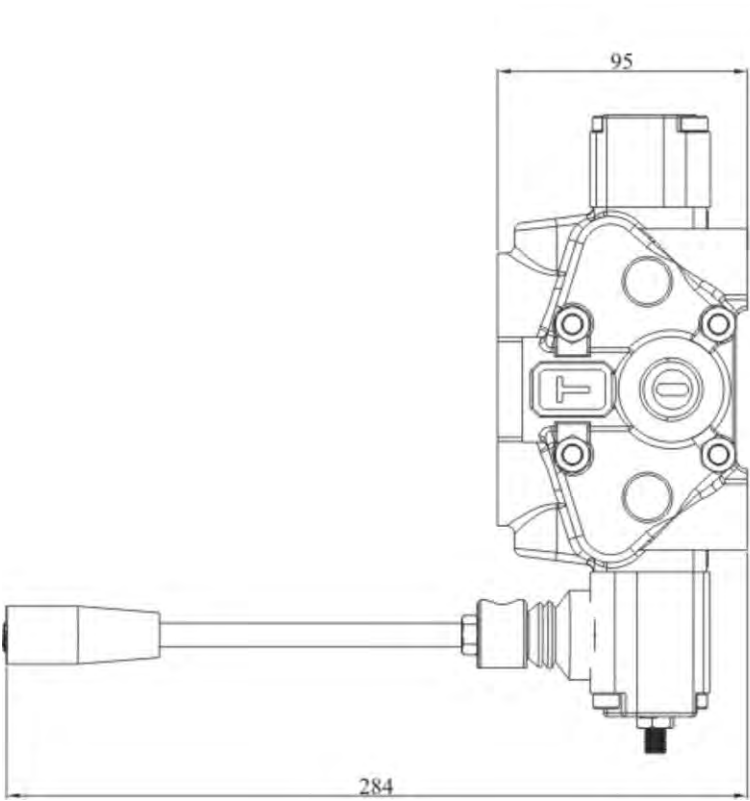
150 Lt. 7P

150 Lt. 8P



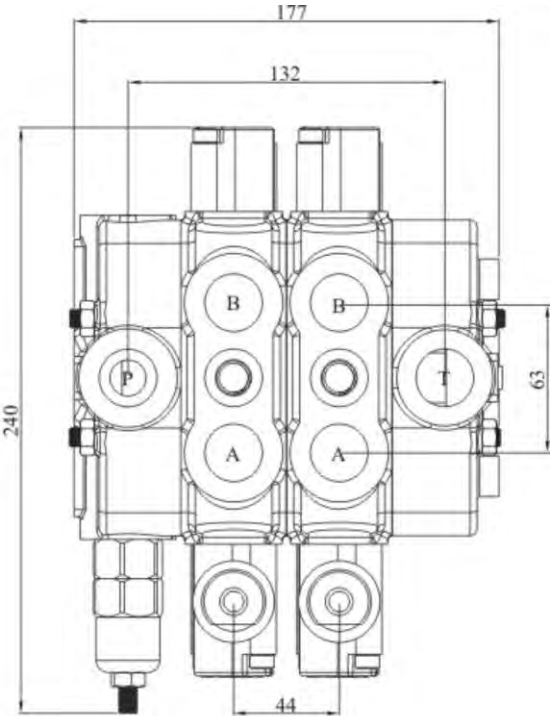
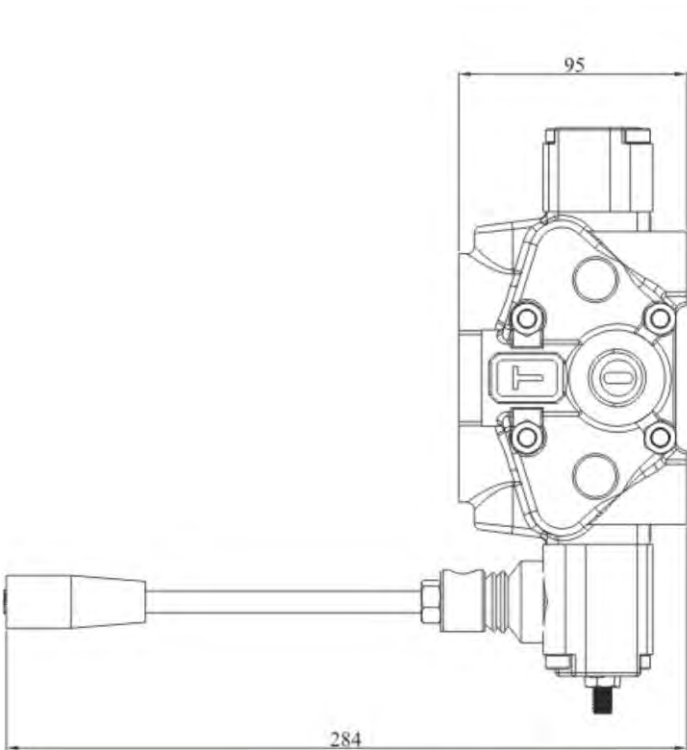
80 Lt. Sectional Valve

1P



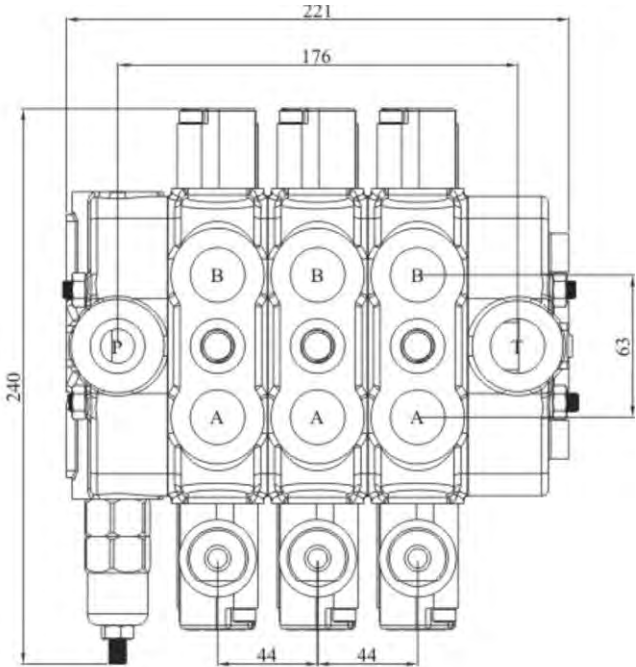
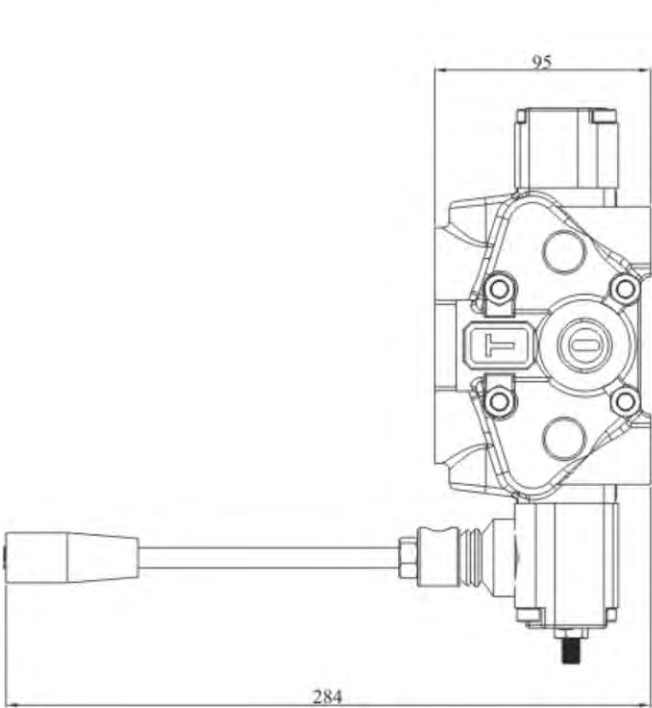
80 Lt. Sectional Valve

2P



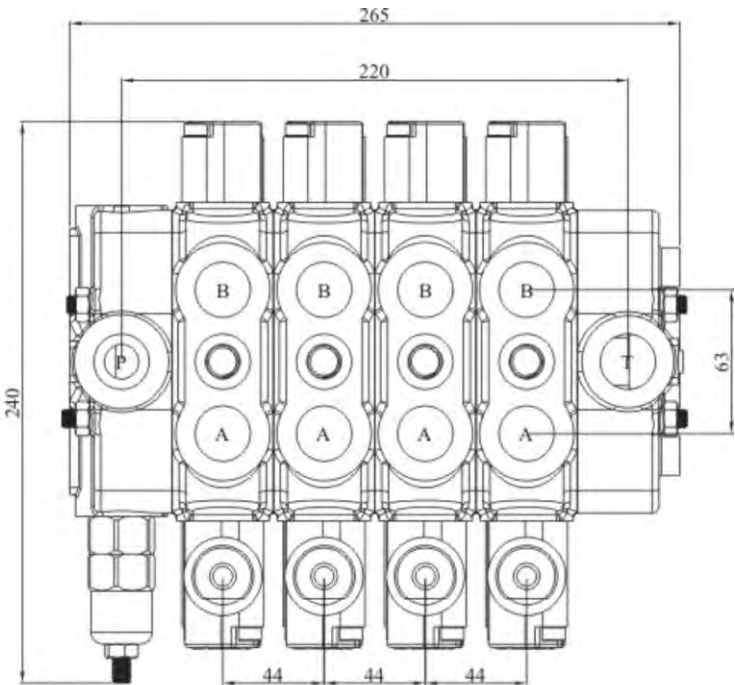
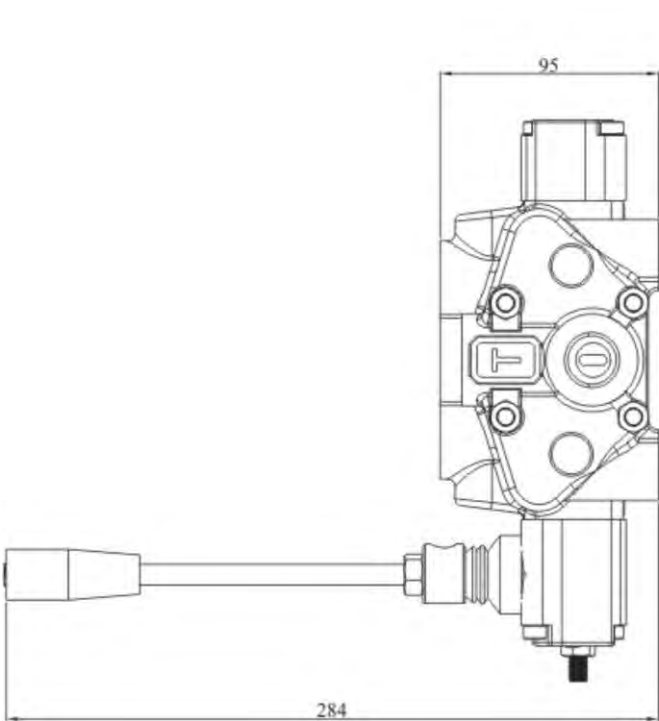
80 Lt. Sectional Valve

3P



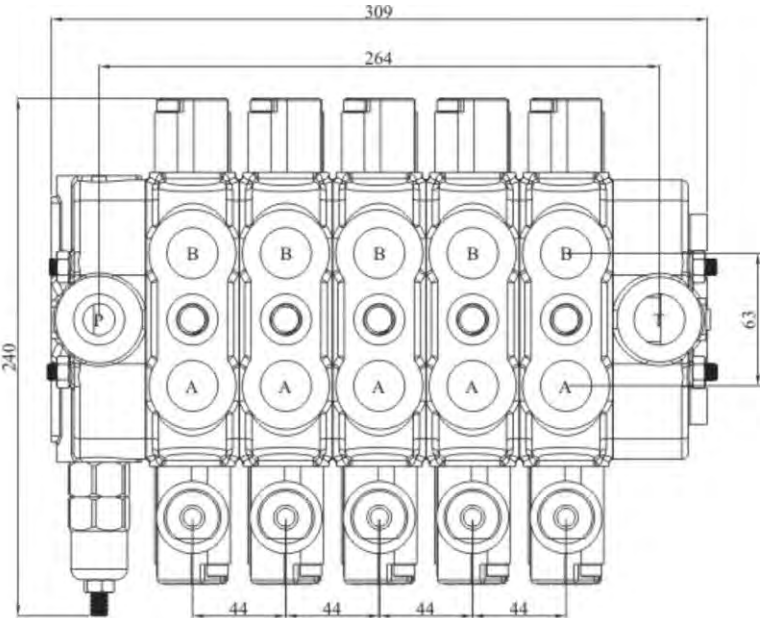
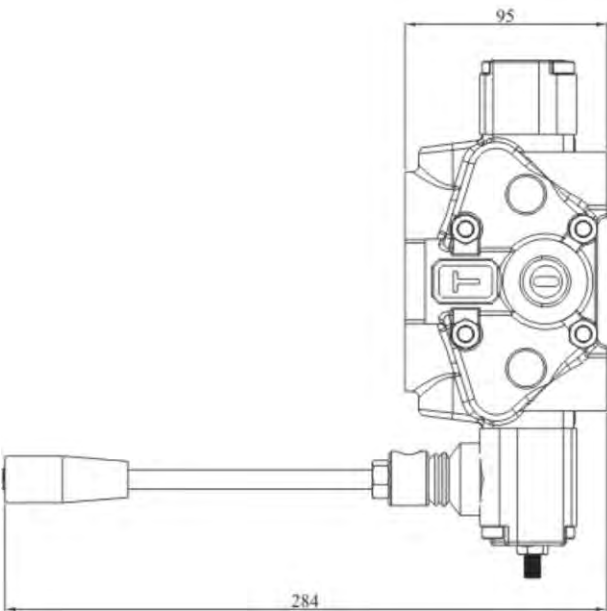
80 Lt. Sectional Valve

4P



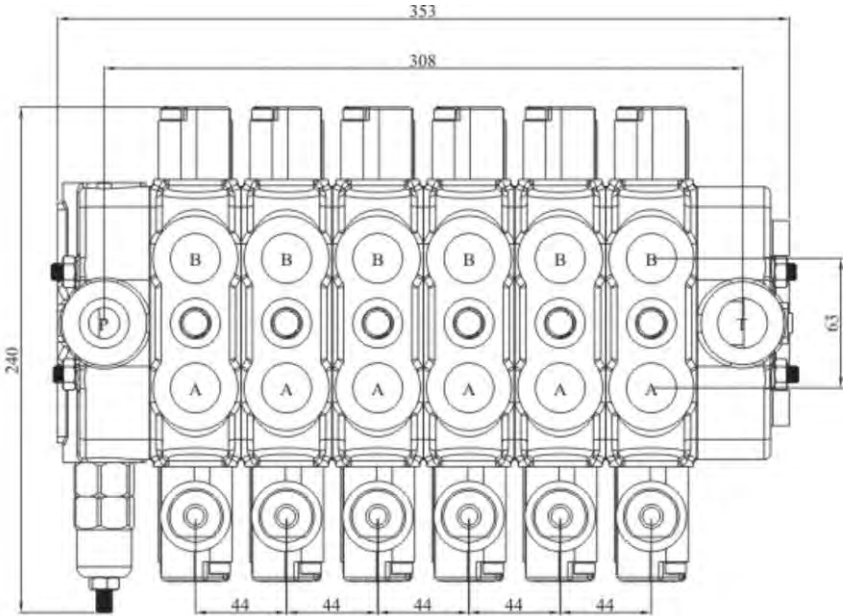
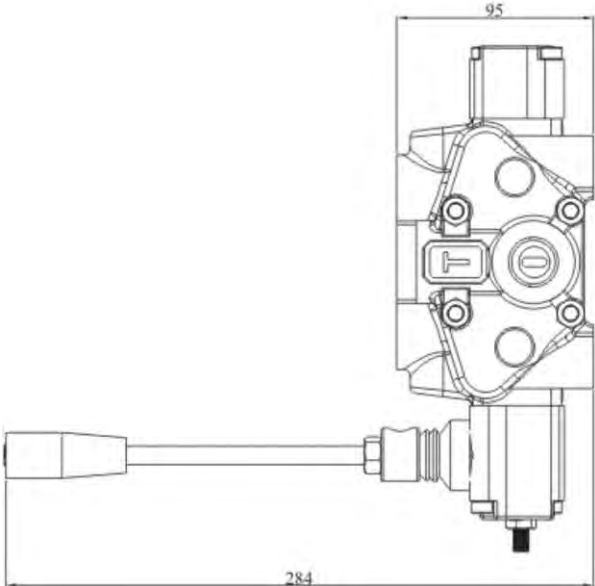
80 Lt. Sectional Valve

5P



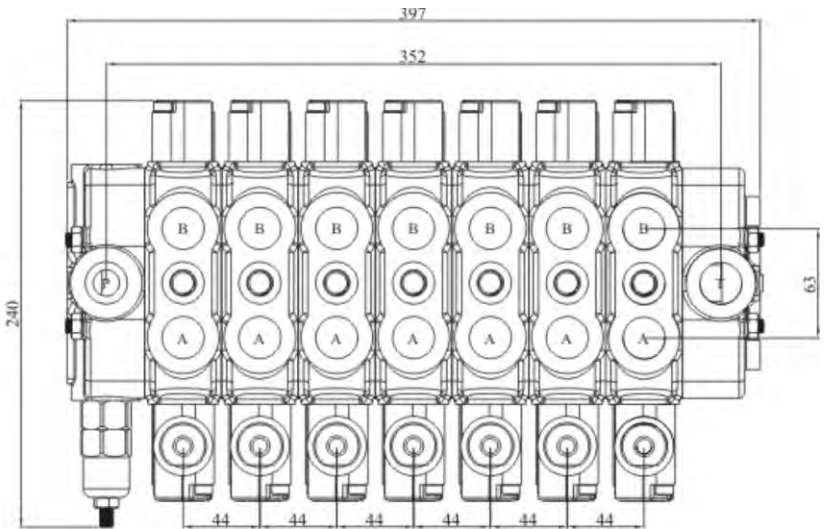
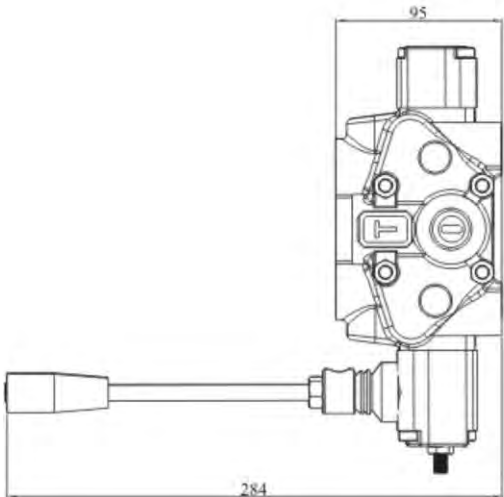
80 Lt. Sectional Valve

6P



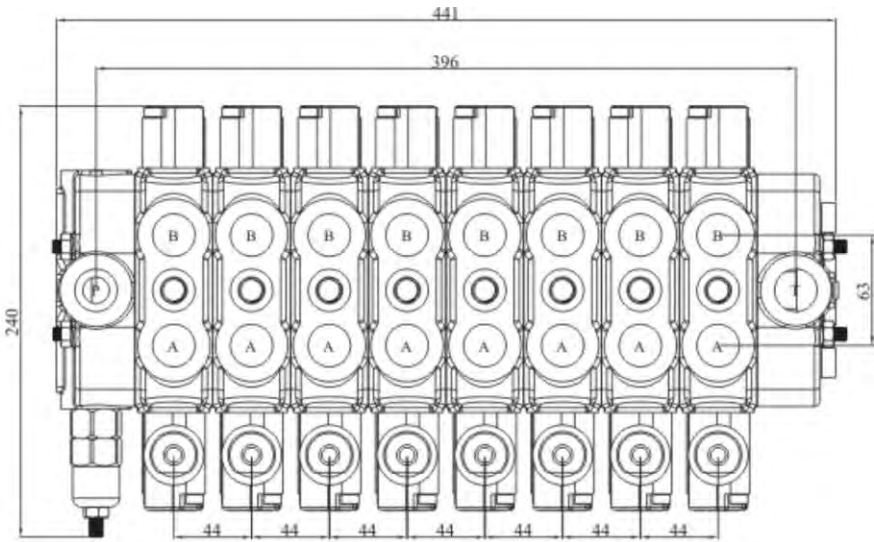
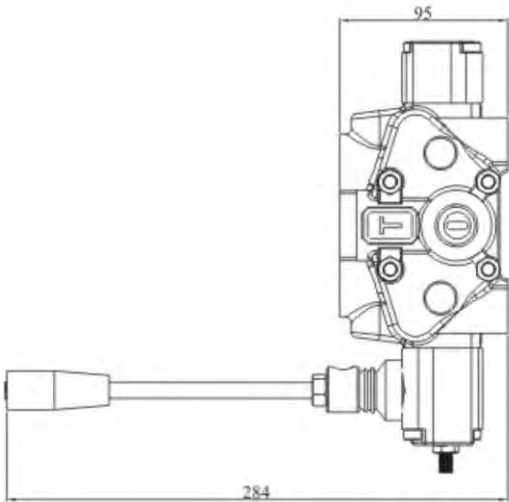
80 Lt. Sectional Valve

7P



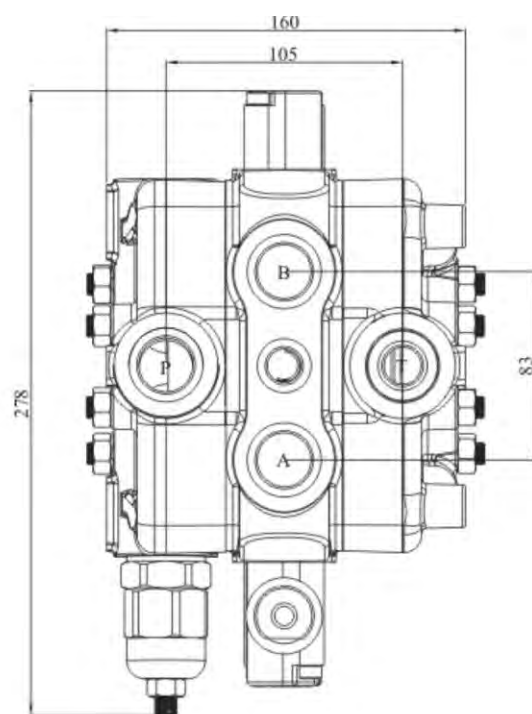
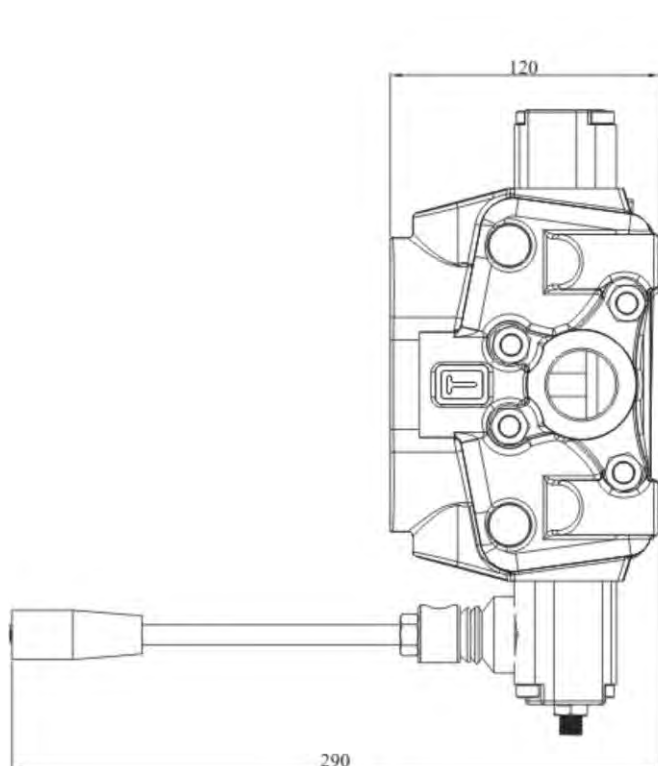
80 Lt. Sectional Valve

8P



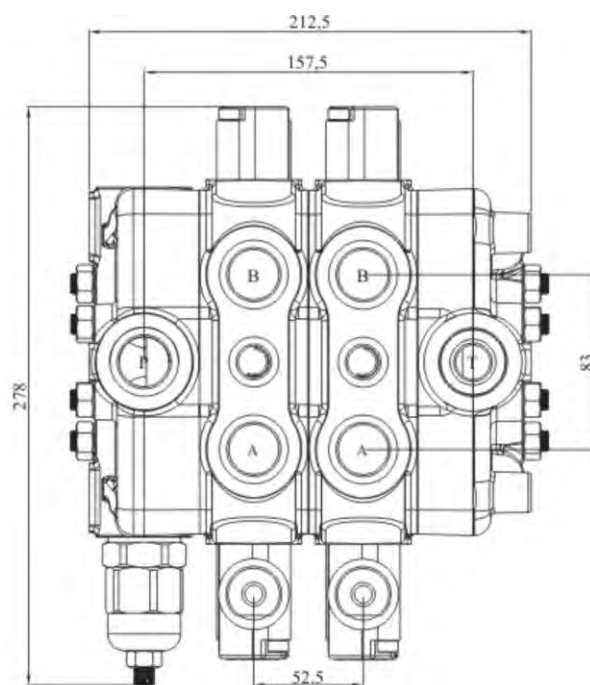
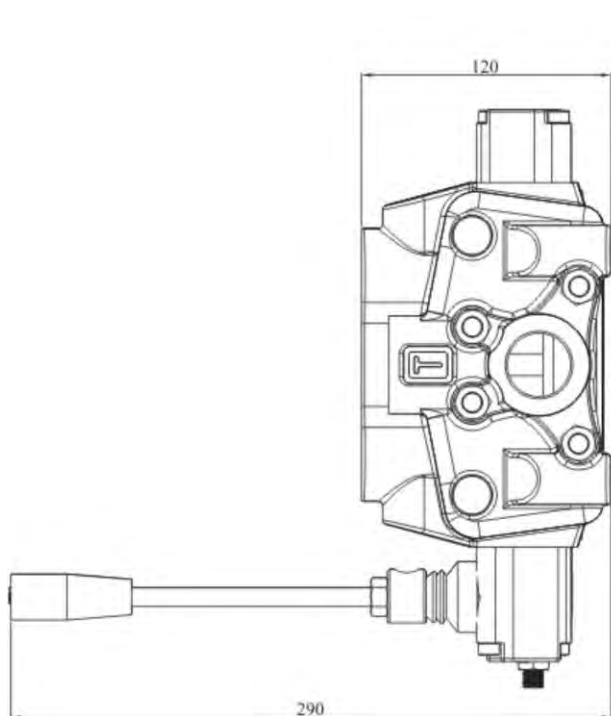
150 Lt. Sectional Valve

1P



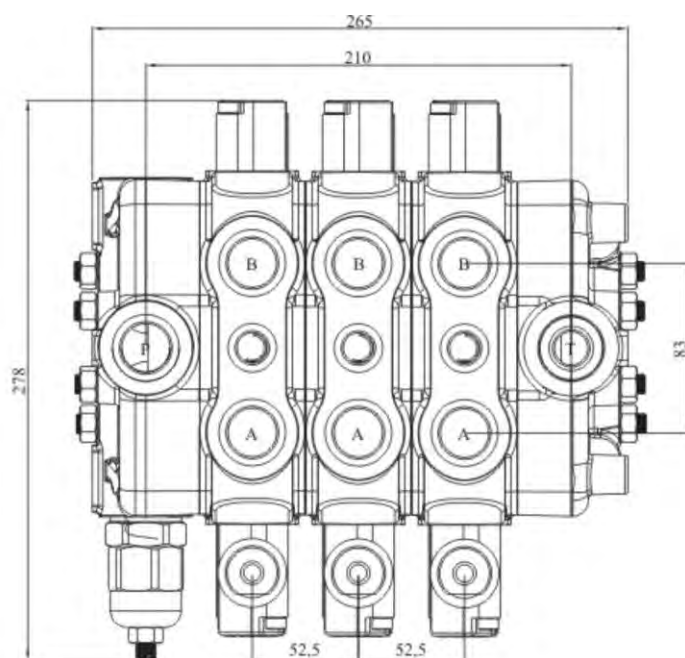
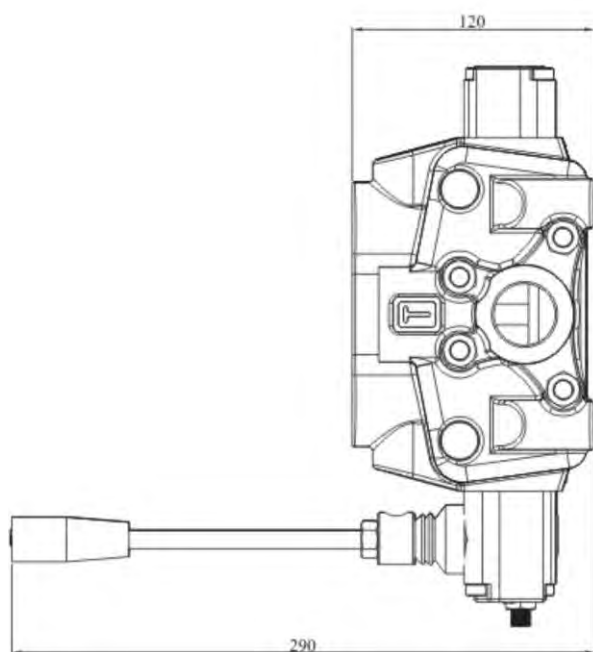
150 Lt. Sectional Valve

2P



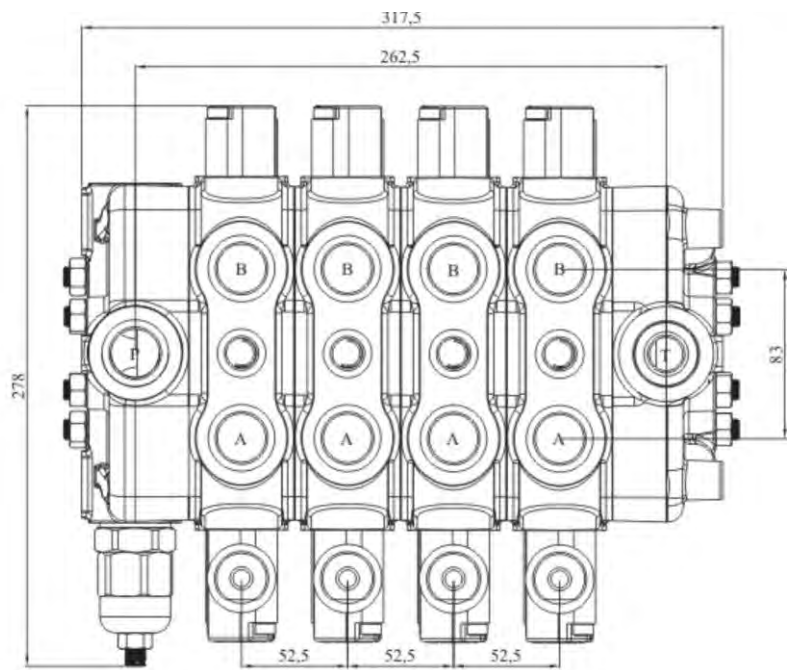
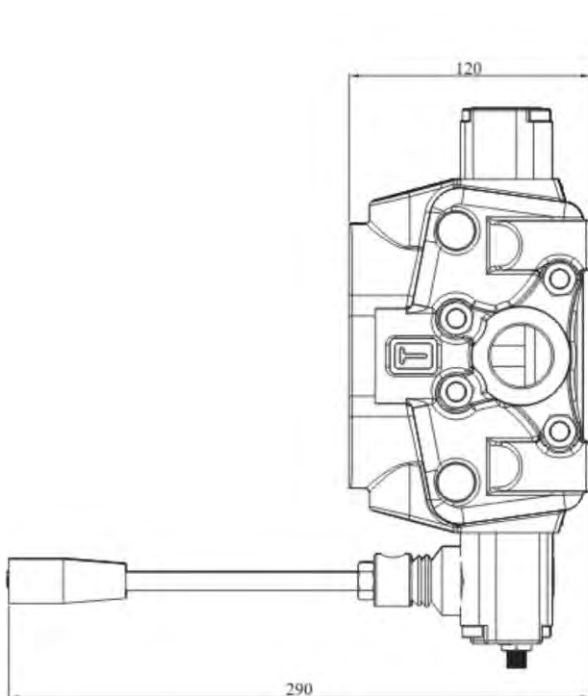
150 Lt. Sectional Valve

3P



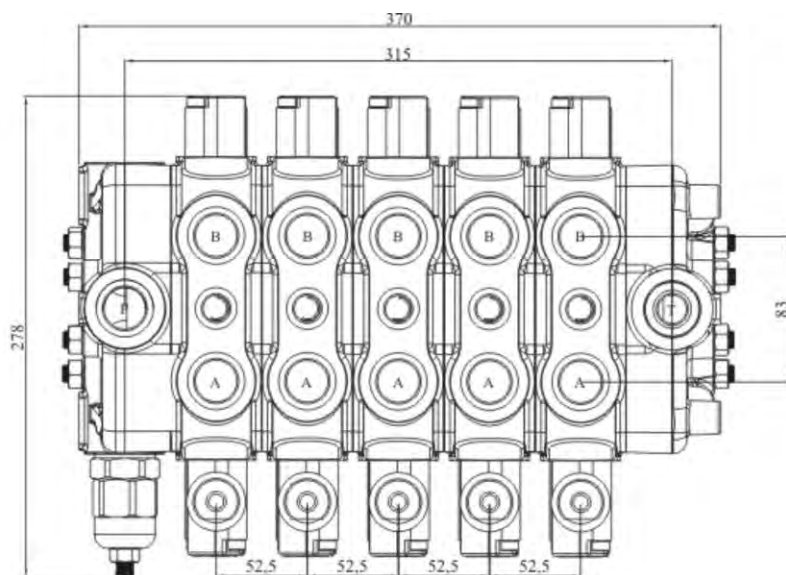
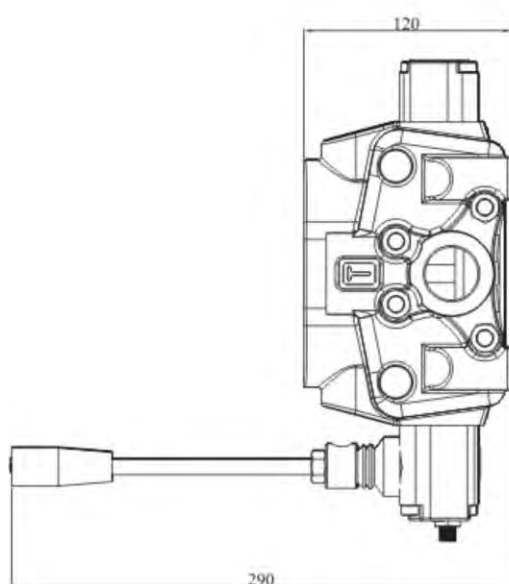
150 Lt. Sectional Valve

4P



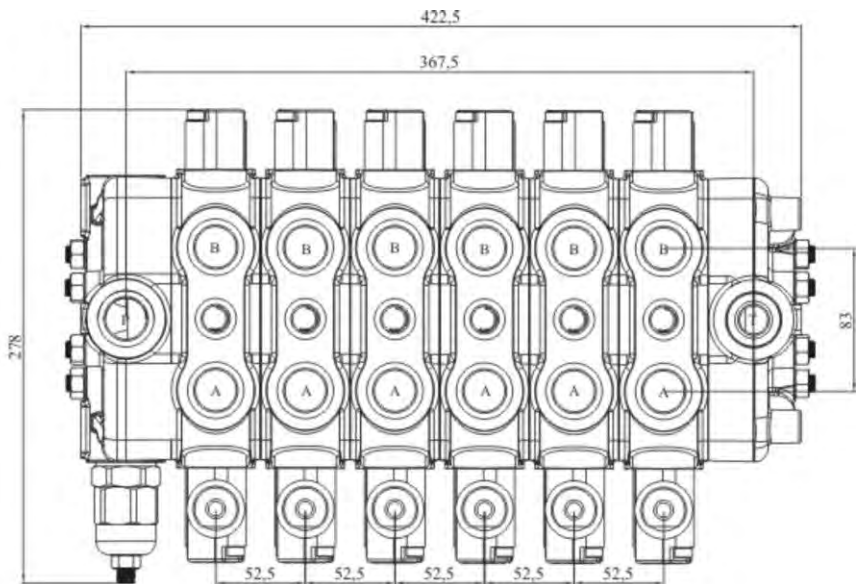
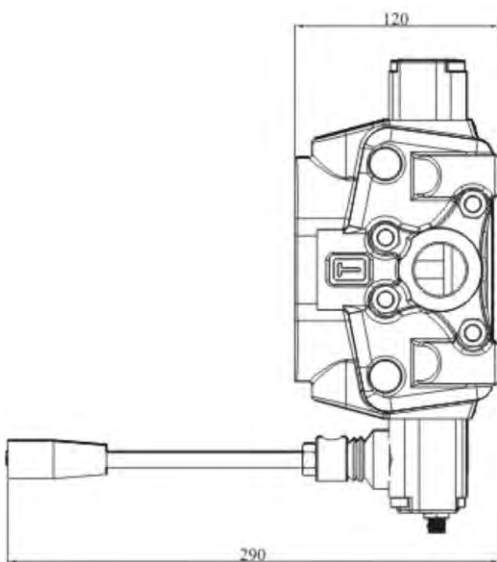
150 Lt. Sectional Valve

5P



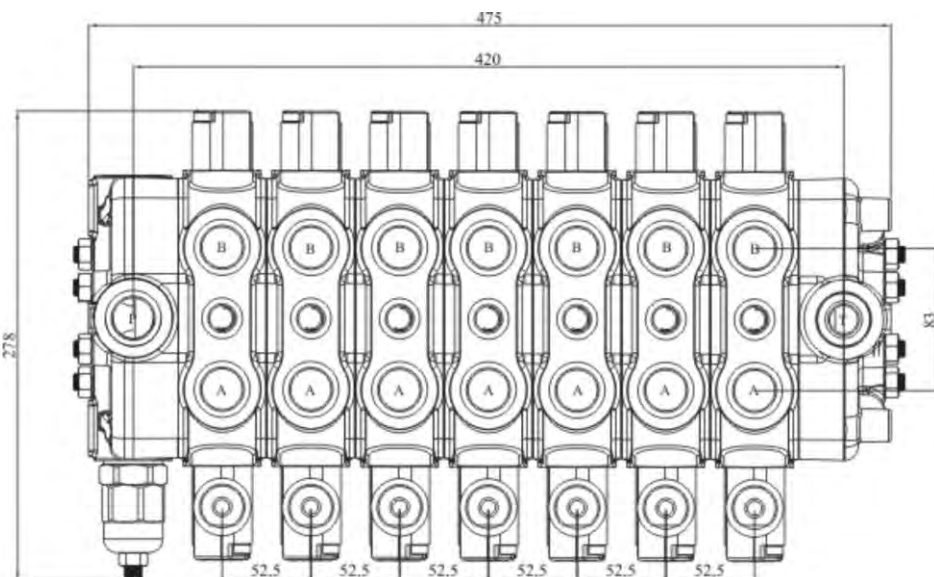
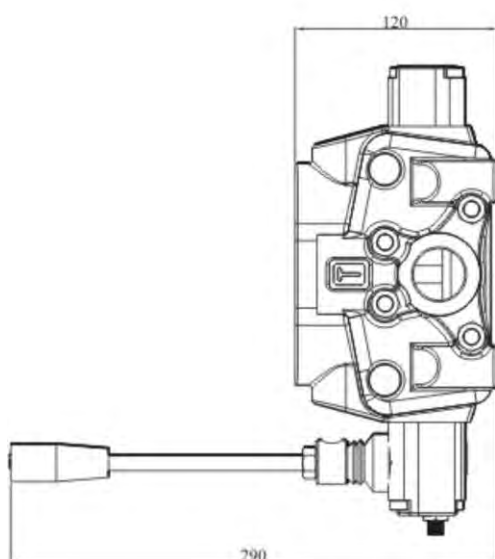
150 Lt. Sectional Valve

6P



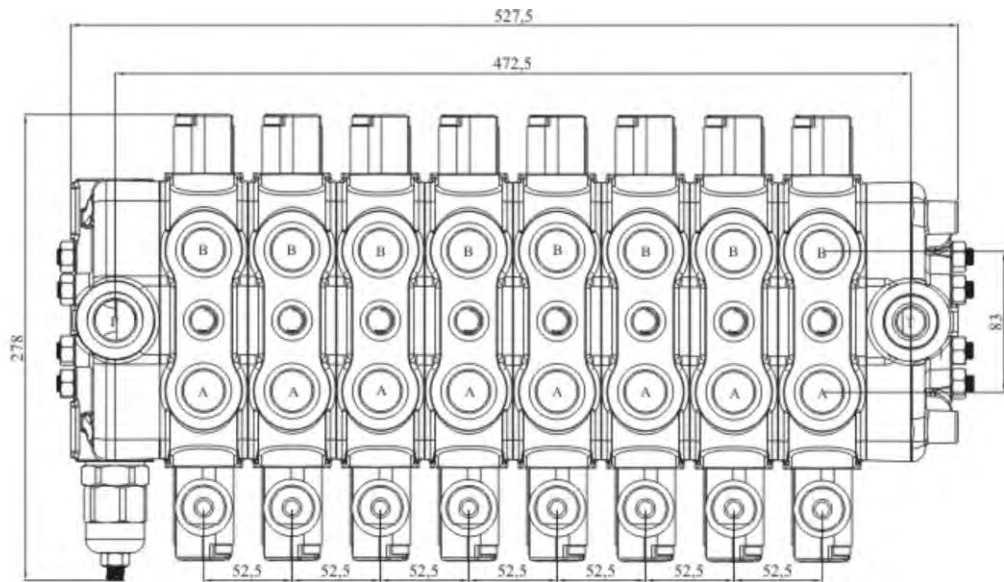
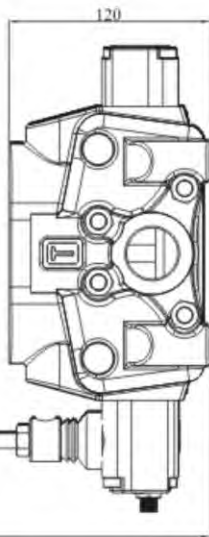
150 Lt. Sectional Valve

7P



150 Lt. Sectional Valve

8P



Complete Product Range

Bent Axis Piston Motors

K2FM (DIN) Bent Axis Motor
K3FH (HYBRID) Bent Axis Motor
A2MS (SAE) Bent Axis Motor
A3MS (SAE2) Bent Axis Motor
A2FM (ISO) Bent Axis Motor
A2FE (Fixed Plugin) Bent Axis Motor
A2FE (Two Speed) Bent Axis Motor
A2FT 45 (Inline) Bent Axis Motor

Bent Axis Piston Pumps

K2FA (DIN) Bent Axis Pump
K2FH (HYBRID) Bent Axis Pump
K2FL (Aluminum) Bent Axis Pump
A2FS (SAE) Bent Axis Pump
A3FS (SAE2) Bent Axis Pump
A2FO (ISO) Bent Axis Pump
A3FO (ISO2) Bent Axis Pump
A2FP (Fixed Plugin) Bent Axis Pump

Variable Displacement Motors

AXMV Variable Piston Motor
AXMA Variable Piston Motor
AXMI Variable Piston Motor

Variable Displacement Pumps

AXVP Variable Piston Motor
AXVA Variable Piston Motor
AXVI Variable Piston Motor

Dual Flow Piston Pumps

A2FD (DIN) Dual Flow Pumps
A2FD (SAE) Dual Flow Pumps
A2PD Axial Dual Output Pumps

Axial Piston & Gear Pumps

A3PP Axial Piston Pumps
A3PH High Pressure Pumps
A2GP Gear Pumps
A2GPT Tandem Gear Pumps
A2GM Gear Motors
A2GMT Tandem Gear Motors

Valve (ByPass) (Flushing) (Cavitation)

Circulation Valve
ByPass Valve
Anti-Cavitation Valve
Flushing Valve
LS Valve
AntiShock Valve
Speed Sensor

Hydraulic Spare Parts

Suction Fittings
Couplars
Adapters
Flanges
Power Take Off
Monoblock Valve
Section Valve

Hydraulic Pumps, Pumps

Bent Axis Hydraulic Piston Pumps, Bent Axis Hydraulic Piston Pumps, Bent Axis Pumps, Variable Displacement Piston Pumps, Variable Displacement Piston Pumps, Axial Piston Pumps, High Pressure Piston Pumps, Gear Pumps, Gear Pumps, Hydraulic Valve.

www.HIDRAPAC.com

Address;

HIDRAPAC HİDROLİK İÇ VE DIŞ TİC LTD ŞTİ

Address; Fevzicakmak Mah. Sıla Cad. Kobisan 3 San. Sit.
No:73 / C Karatay – Konya, PO Code; 42050, Türkiye

Phone; +90 551 111 77 44

VAT Number; 462 077 9143

www.HIDRAPAC.com

MAIL@HIDRAPAC.com

INFO@HIDRAPAC.com

Hidrapac **Store**

www.HIDRAPAC.com.tr

Hidrapac **Premium**

www.HIDRAPACHYDRAULIC.com