

# Anti-Cavitation Valve for Bent Axis Motors

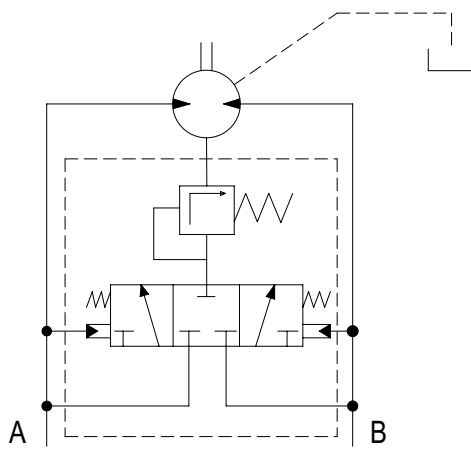
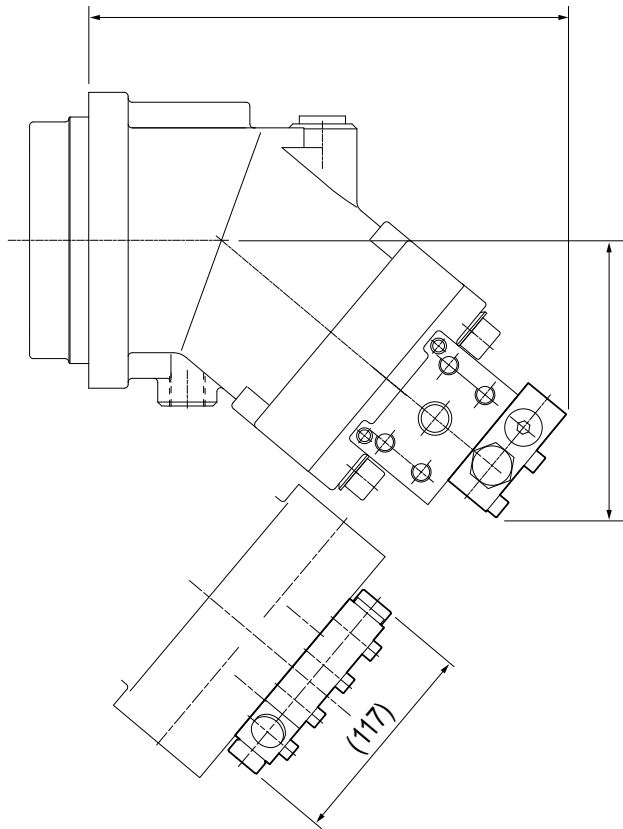
Anti-Cavitation Valve for Hydraulic Bent Axis Piston Motors

**Designation;**  
Anti-Cavitation

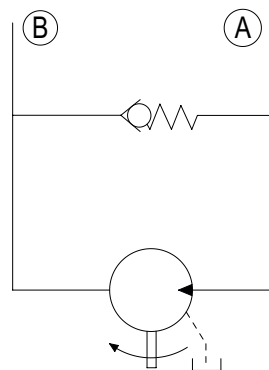


Hidrapac **Store**  
[www.HIDRAPAC.com.tr](http://www.HIDRAPAC.com.tr)

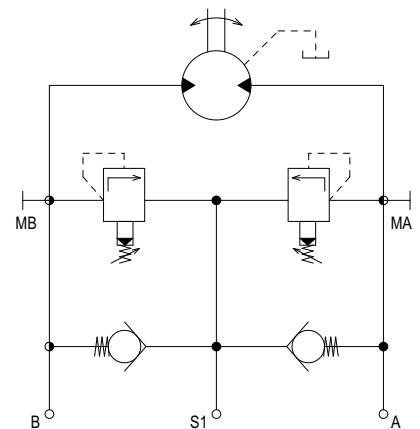
## Anti-Cavitation Valve for Bent Axis Motors



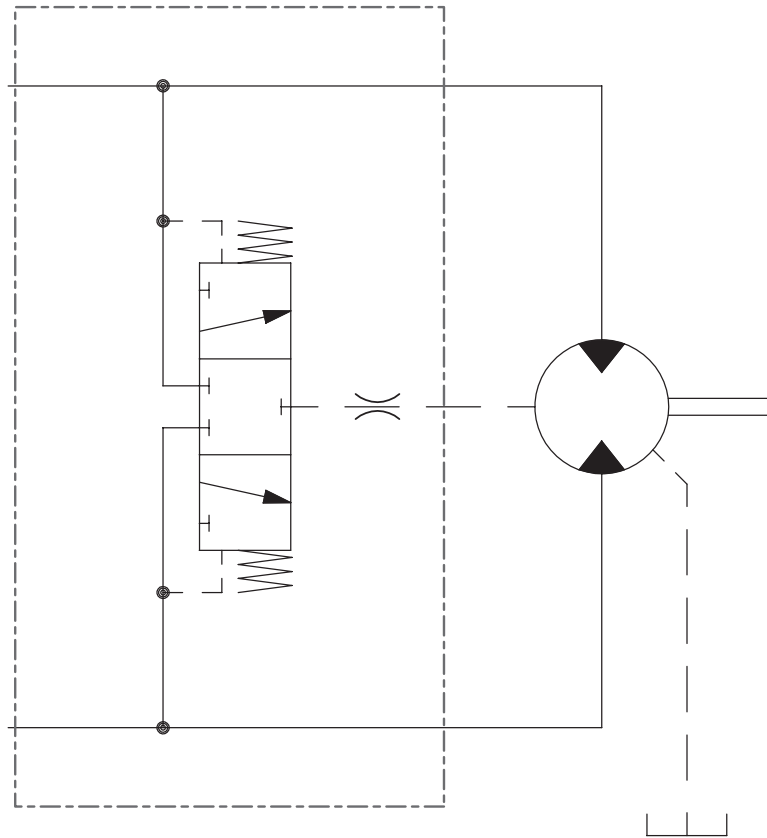
Anti-cavitation valve



Double pressure relief valve



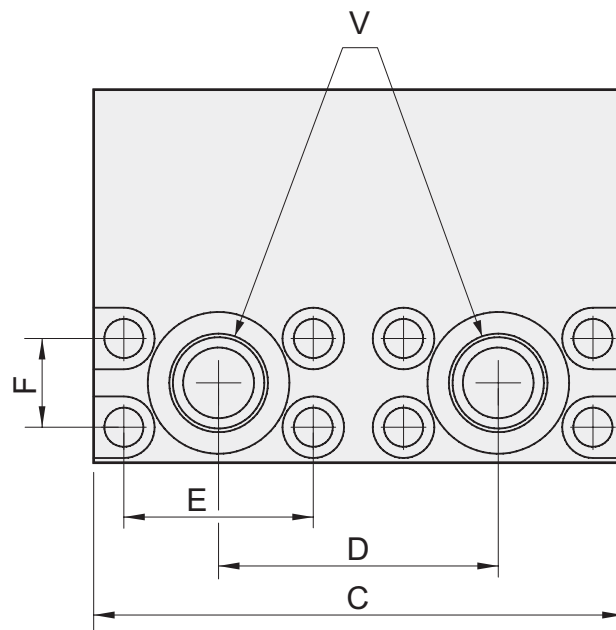
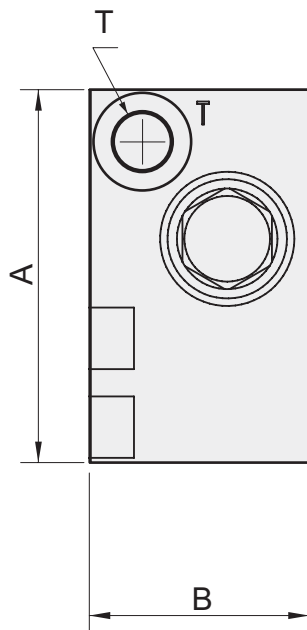
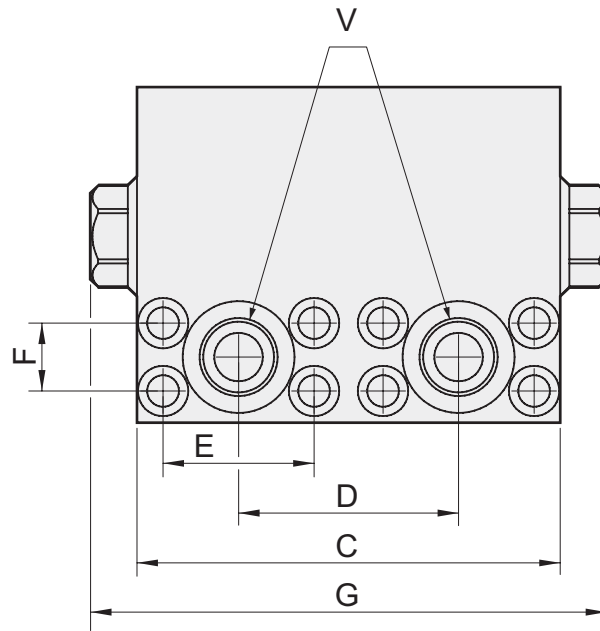
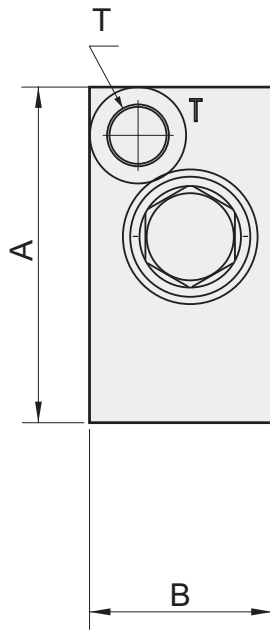
## Anti-Cavitation Valve for Bent Axis Motors



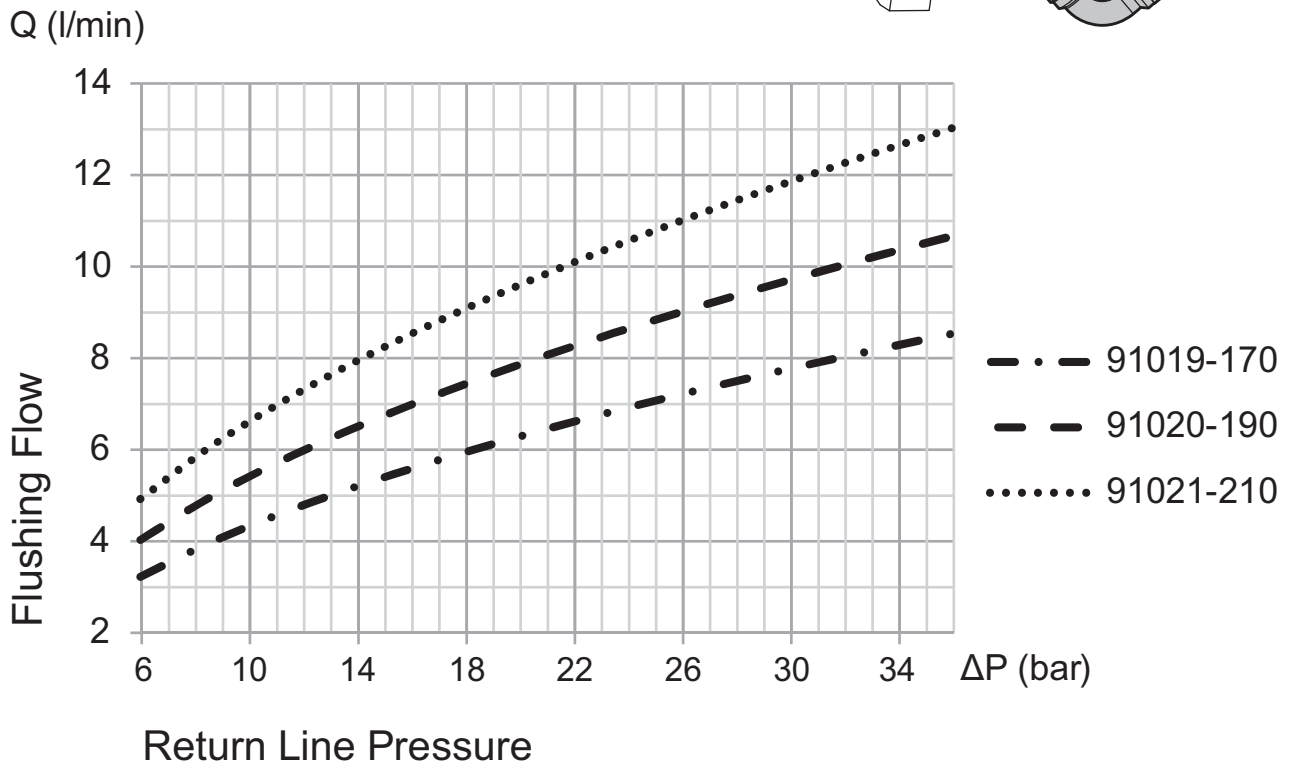
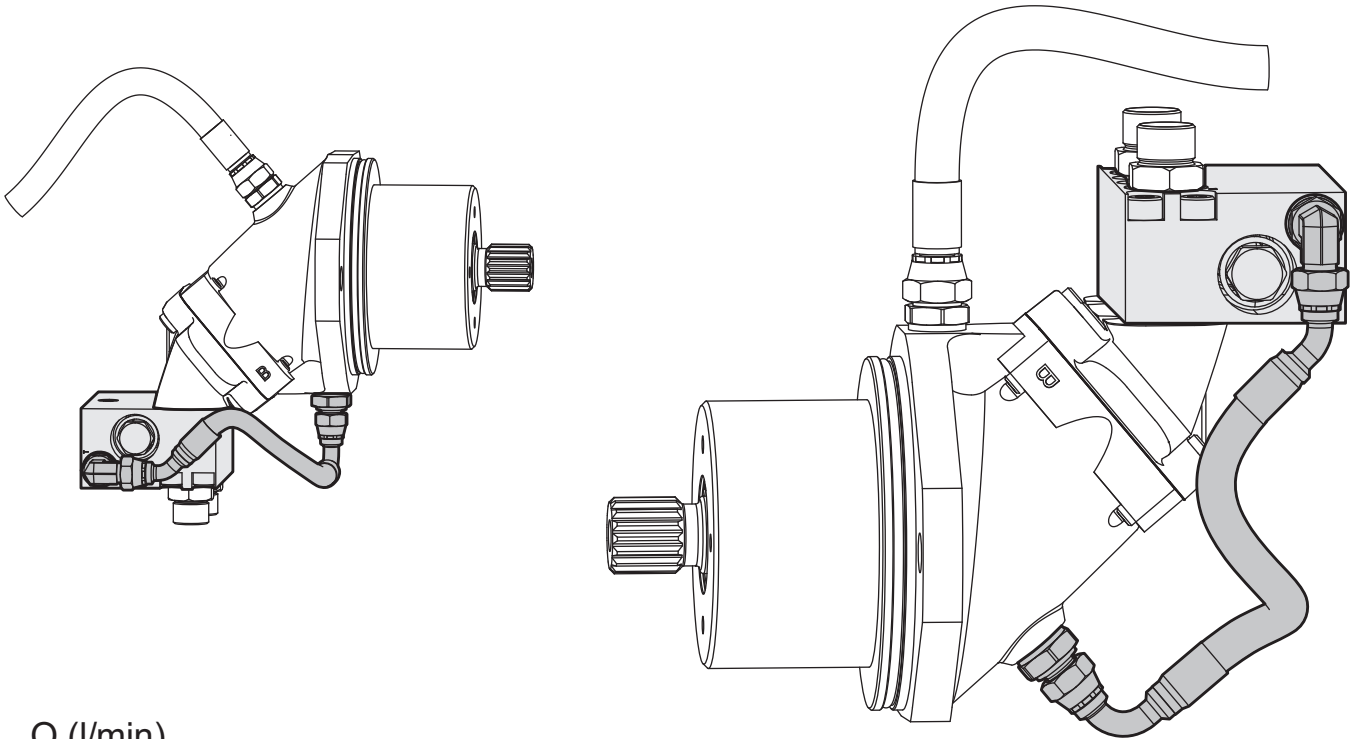
### Dimension

Type	A	B	C	D	E	F	G	T	V
012-032	90	49	113.5	59	40.5	18.2	138.4		G 1/2"
040-063	100	59	142	75	50.8	23.8	—	G 3/8"	G 3/4"
080-130	108	59	160	84	57.2	27.8	—		G 1"

## Anti-Cavitation Valve for Bent Axis Motors



## Anti-Cavitation Valve for Bent Axis Motors



## Complete Product Range

### **Bent Axis Piston Motors**

K2FM (DIN) Bent Axis Motor  
K3FH (HYBRID) Bent Axis Motor  
A2MS (SAE) Bent Axis Motor  
A3MS (SAE2) Bent Axis Motor  
A2FM (ISO) Bent Axis Motor  
A2FE (Fixed Plugin) Bent Axis Motor  
A2FE (Two Speed) Bent Axis Motor  
A2FT 45 (Inline) Bent Axis Motor

### **Bent Axis Piston Pumps**

K2FA (DIN) Bent Axis Pump  
K2FH (HYBRID) Bent Axis Pump  
K2FL (Aluminum) Bent Axis Pump  
A2FS (SAE) Bent Axis Pump  
A3FS (SAE2) Bent Axis Pump  
A2FO (ISO) Bent Axis Pump  
A3FO (ISO2) Bent Axis Pump  
A2FP (Fixed Plugin) Bent Axis Pump

### **Variable Displacement Motors**

AXMV Variable Piston Motor  
AXMA Variable Piston Motor  
AXMI Variable Piston Motor

### **Variable Displacement Pumps**

AXVP Variable Piston Motor  
AXVA Variable Piston Motor  
AXVI Variable Piston Motor

### **Dual Flow Piston Pumps**

A2FD (DIN) Dual Flow Pumps  
A2FD (SAE) Dual Flow Pumps  
A2PD Axial Dual Output Pumps

### **Axial Piston & Gear Pumps**

A3PP Axial Piston Pumps  
A3PH High Pressure Pumps  
A2GP Gear Pumps  
A2GPT Tandem Gear Pumps  
A2GM Gear Motors  
A2GMT Tandem Gear Motors

### **Valve (ByPass) (Flushing) (Cavitation)**

Circulation Valve  
ByPass Valve  
Anti-Cavitation Valve  
Flushing Valve  
LS Valve  
AntiShock Valve  
Speed Sensor

### **Hydraulic Spare Parts**

Suction Fittings  
Couplars  
Adapters  
Flanges  
Power Take Off  
Monoblock Valve  
Section Valve

## Hydraulic Pumps, Pumps

Bent Axis Hydraulic Piston Pumps, Bent Axis Hydraulic Piston Pumps, Bent Axis Pumps, Variable Displacement Piston Pumps, Variable Displacement Piston Pumps, Axial Piston Pumps, High Pressure Piston Pumps, Gear Pumps, Gear Pumps, Hydraulic Valve.

[www.HIDRAPAC.com](http://www.HIDRAPAC.com)

### Address;

#### HIDRAPAC HİDROLİK İÇ VE DIŞ TİC LTD ŞTİ

Address; Fevzicakmak Mah. Sıla Cad. Kobisan 3 San. Sit.  
No:73 / C Karatay – Konya, PO Code; 42050, Türkiye

Phone; +90 551 111 77 44

VAT Number; 462 077 9143

[www.HIDRAPAC.com](http://www.HIDRAPAC.com)

[MAIL@HIDRAPAC.com](mailto:MAIL@HIDRAPAC.com)

[INFO@HIDRAPAC.com](mailto:INFO@HIDRAPAC.com)

Hidrapac **Store**

[www.HIDRAPAC.com.tr](http://www.HIDRAPAC.com.tr)

Hidrapac **Premium**

[www.HIDRAPACHYDRAULIC.com](http://www.HIDRAPACHYDRAULIC.com)