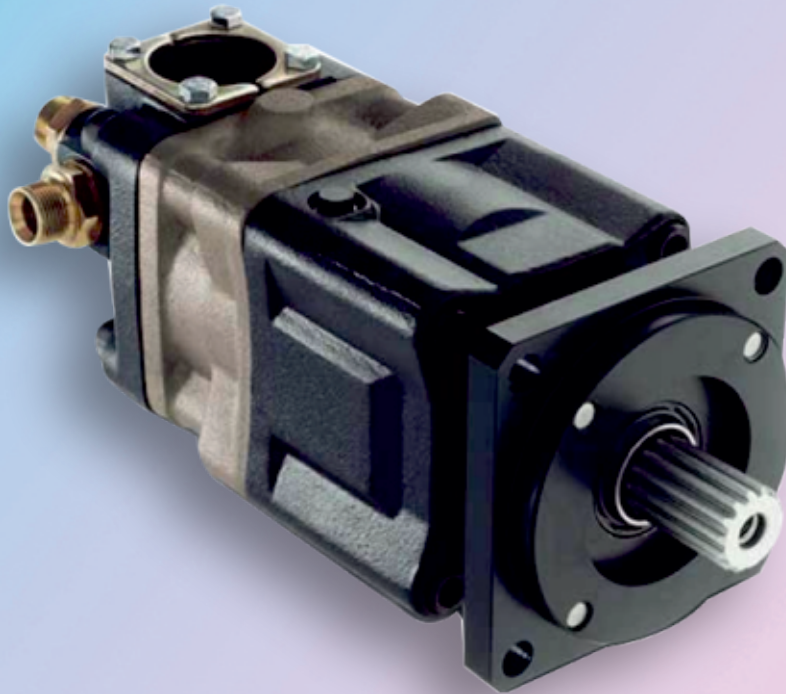


## A2FD (SAE) Dual Flow Pumps -2022-

**Straight Axial** Twin Flow Bent Axis Hydraulic Piston Pumps, Dual Flow, Dual Output.  
High Pressure, High Rotational Speed, High Efficiency, Slim Design.  
Aluminum Pump Body, Re-Designed in 2022.

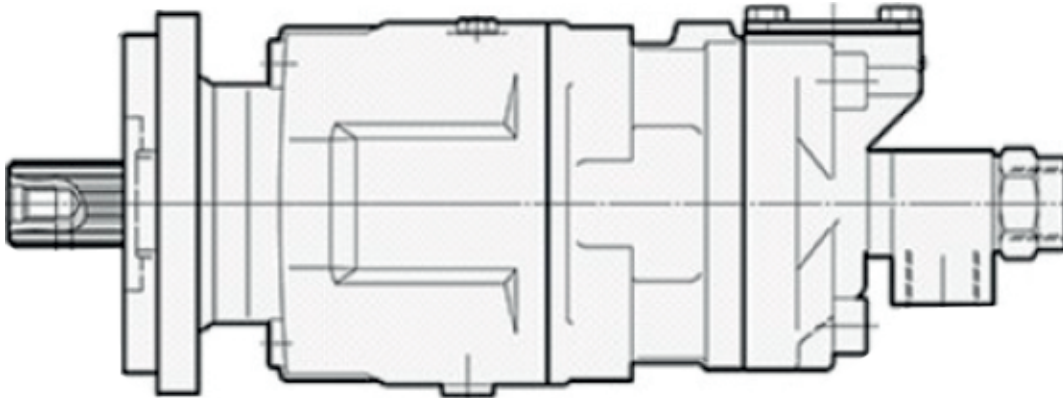
### Designation;

53/53, 42/42, 55/28,  
70/35, 70/70



Hidrapac **Store**

[www.HIDRAPAC.com.tr](http://www.HIDRAPAC.com.tr)



## Design and Function

Dual Flow Pump is a Piston Pump with spherical pistons. Including Piston Rings. The pistons are working at the angle of 40 degree to the shaft. When the shaft rotates, the pistons move up and down in the cylinder barrel, forcing the oil to pass from the inlet port to the outlet in the end cap.

A ring gear connects the cylinder barrel to the drive shaft, causing these to rotate at the same speed.

A barrel support with a spring presses the cylinder barrel against the end cap. An internal connection from the housing to the suction port eliminates a separate draining line to the tank. Double Flow Pumps provided with shaft and connection flange that fits direct to PTO's with ZF Standard.

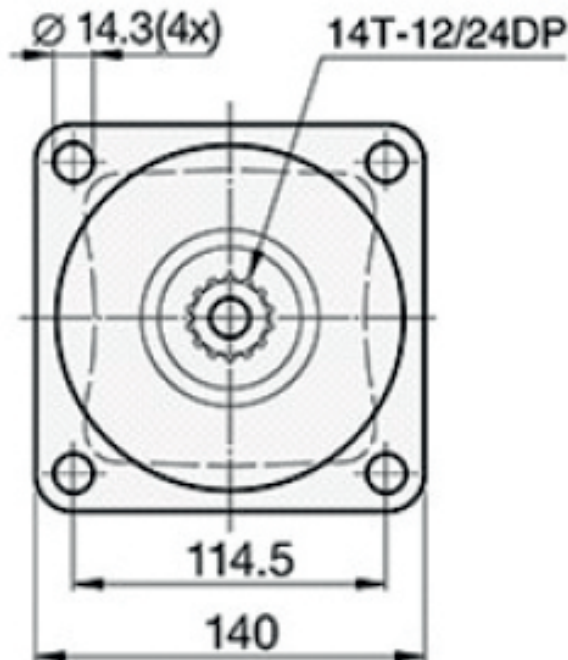
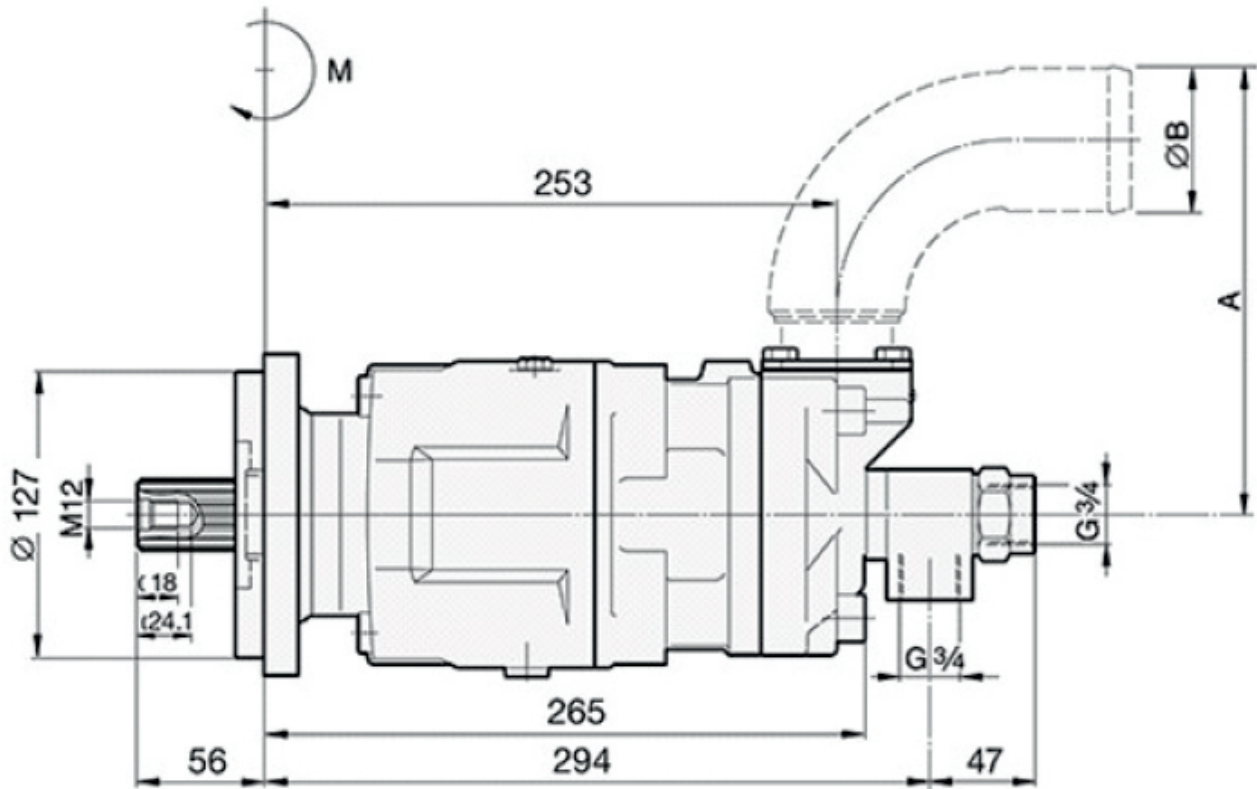
Inlet/Suction Fittings included with Dual Flow Piston Pumps.  
User guide and Installation Instructions included.

### Sizes;

A2FD 53/53 - SAE  
A2FD 42/42 - SAE  
A2FD 55/28 - SAE  
A2FD 70/35 - SAE  
A2FD 70/70 - SAE

### Conversion factors

1 kg	= 2.2046 lb
1 N	= 0.22481 lbf
1 bar	= 14.504 psi
1 l	= 0.21997 UK gallon
1 l	= 0.26417 US gallon
1 cm <sup>3</sup>	= 0.061024 in <sup>3</sup>
1 m	= 3.2808 feet
1 mm	= 0.03937 in
9/5 °C + 32	= °F



## Specifications

Frame size	42/42	53/53	55/28	70/35	70/70
<b>Displacement [cm<sup>3</sup>/rev]</b>					
Port A	43	55	55	69	68
Port B	41	52	28	36	68
<b>Max operating pressure [bar]</b>					
continuous	350	350	350	350	300
intermittent <sup>3)</sup>	400	400	400	400	350
<b>Mass moment of inertia J [kgm<sup>2</sup>]</b>	0.0092	0.0091	0.0091	0.0090	0.0104
<b>Max Shaft speed [rpm]</b>					
(unloaded pump; low pressure)	2550	2550	2550	2550	2550
<b>Max selfpriming speed [rpm]</b>					
Ports A <sup>1)</sup> and B <sup>1)</sup> pressurised	1800	1800	1800	1800	1650
Port A <sup>1)</sup> unloaded, pressure in port B	2100	2100	2100	2100	2100
<b>Max input power <sup>2)</sup> [kW]</b>	100	127	100	126	131
<b>Weight [kg]</b>	19	19	19	19	19

## Flow vs. shaft speed (theoretical)

Pump speed [rpm]	800	1000	1200	1400	1600	1800	1900	2000	2100
<b>flow [l/min] 53/53</b>									
Port A	43	54	65	76	86	97	-	-	-
Port B	42	52	62	73	83	94	99	104	109
Total (A + B) ports	85	106	127	149	169	191	-	-	-
<b>Note: 42/42 values is 80 % of 53/53 values 70/70 values is 130 % of 53/53 values</b>									
<b>flow [l/min] 70/35</b>									
Port A	55	69	83	97	110	124	-	-	-
Port B	29	36	43	50	58	65	68	72	76
Total (A + B) ports	84	105	126	147	168	189	-	-	-
<b>Note: 55/28 values is 80 % of 70/35 values</b>									

## Shaft torque vs. pressure (theoretical)

Pressure [bar]	150	200	250	300	350
<b>torque [Nm] 53/53</b>					
Port A	129	171	214	257	300
Port B	124	165	206	248	289
Total (A + B) ports	253	336	420	505	589
<b>Note: 42/42 values is 80 % of 53/53 values 70/70 values is 130 % of 53/53 values</b>					
<b>torque [Nm] 70/35</b>					
Port A	164	219	274	329	383
Port B	86	114	143	171	200
Total (A + B) ports	250	333	417	500	583
<b>Note: 55/28 values is 80 % of 70/35 values</b>					

## Pump Performance Data

Model Series	Max. Displacement in <sup>3</sup> /rev (cc/rev)	Outlet Pressure PSI (BAR)	Drive Speed RPM	Flow** @ 1800 RPM		Max. Input Power HP (KW)
				Port A GPM (LPM)	Port B GPM (LPM)	
42/42	2.62/2.50 (43/41)	5000 (350)	1800	20.4 (77.2)	19.5 (73.8)	118 (88.0)
55/28	3.36/1.71 (55/28)	5000 (350)	1800	26.1 (98.6)	13.3 (50.3)	118 (88.0)
53/53	3.30/3.17 (54/52)	5000 (350)	1800	25.5 (96.5)	24.8 (93.9)	147 (109.8)
70/35	4.21/2.20 (69/36)	5000 (350)	1800	32.7 (123.8)	17.2 (65.1)	147 (109.8)
70/70	4.15/4.15 (68/68)	4350 (300)	1650	32.3 (122.3)	32.3 (122.3)	150 (111.9)

### Straight Suction Fittings

Ordering no.	A in. (mm)	B in. (mm)	C dia. in. (mm)
02005622	0 (0)	3.35" (85)	1.5" (38)
02005623	0.67" (17)	5.35" (136)	2.0" (50)
02005624	0.98" (25)	5.71" (145)	2.5" (63)
02005625	0.67" (17)	5.35" (136)	1.77" (45)
02005626	0.67" (17)	5.35" (136)	1.77" (48)

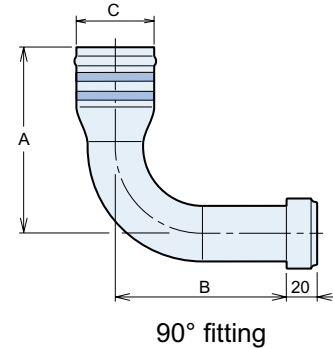
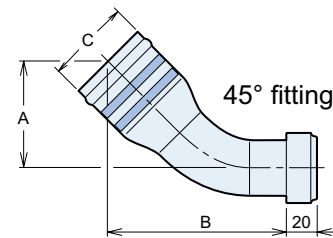
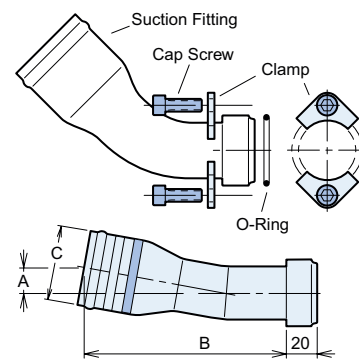
### 45° Suction Fittings

Ordering no.	A in. (mm)	B in. (mm)	C dia. in. (mm)
04505620	2.36" (60)	4.09" (104)	1.25" (32)
04505621	2.36" (60)	4.09" (104)	1.5" (38)
04505622	2.64" (67)	4.33" (110)	2" (50)
04505623	2.95" (75)	4.61" (117)	2.5" (63)
04505624	2.64" (67)	4.33" (110)	1.57" (40)
04505625	2.64" (67)	4.33" (110)	1.77" (45)
04505626	2.64" (67)	4.33" (110)	1.89" (48)

### 90° Suction Fittings

Ordering no.	A in. (mm)	B in. (mm)	C dia. in. (mm)
09005622	4.96" (126)	3.27" (83)	1.5" (38)
09005623	5.31" (135)	3.27" (83)	2" (50)
09005624	5.31" (135)	3.27" (83)	1.77"(45)
09005625	5.31" (135)	3.27" (83)	1.89" (48)
09005626	5.79" (147)	4.06" (103)	2.5" (63)

5" (63)



## Markets

## Applications

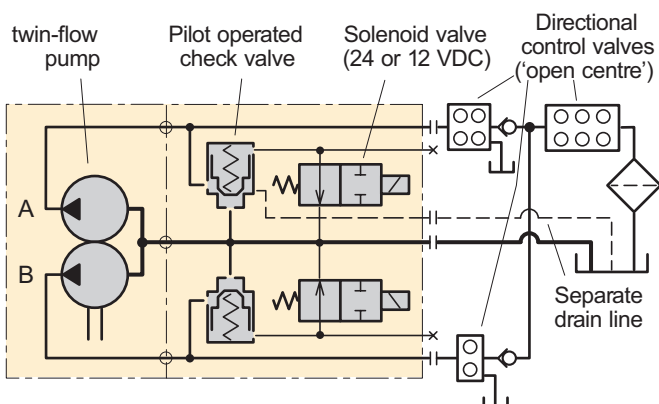
Forestry	Knuckle Boom Loader, Cranes, Mowers / Cutters
Construction	Off-Highway Trucks, Fan Drives
Mining	Dump Trucks
Material Handling	Truck Mounted Cranes, Lift Trucks
Recycling	Vaccum Truck Systems, Refuse Trucks - ASL, Rear Loaders
Military	

## DUAL FLOW PUMP bypass valve

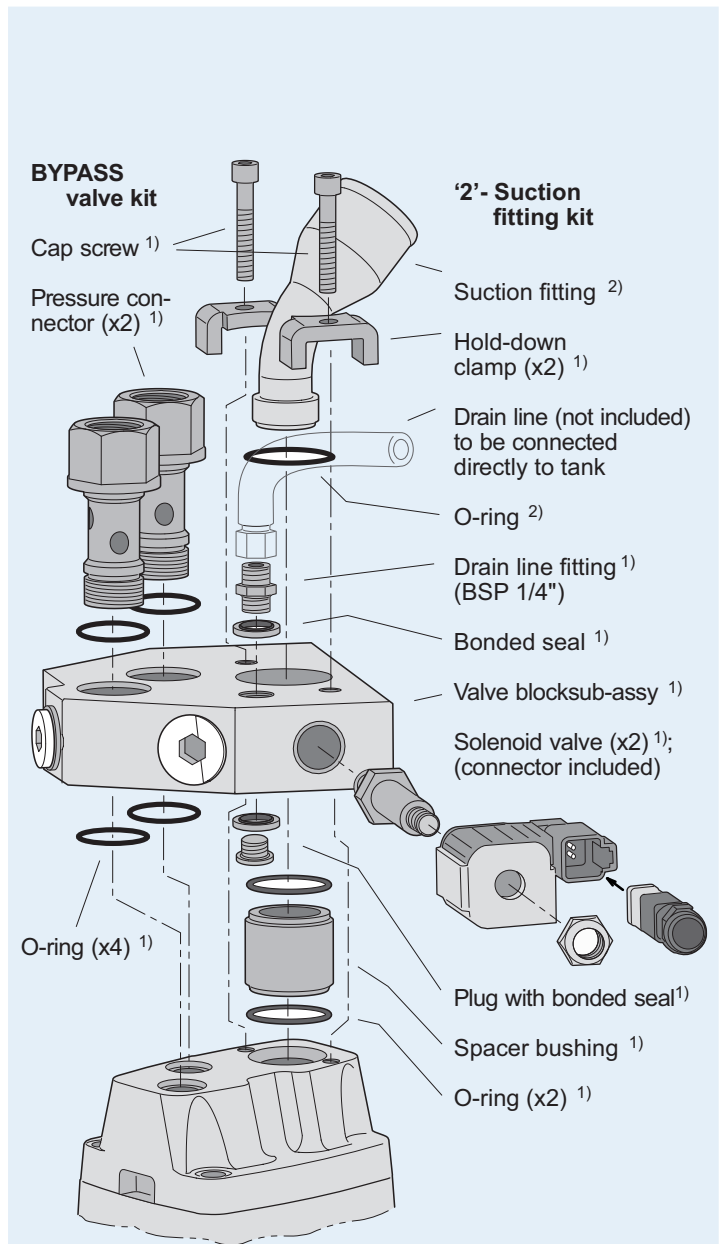
- A dual/twin pump fitted with a bypass valve can be utilised in applications where the pump is operating constantly i.e. when the pump is driven from the crankshaft through a cardan shaft, or when it is installed on an engine-PTO. In addition, it can be used when, temporarily, one of the two circuits is not required; the power loss is thus reduced as the non-required flow is not forced through lines and 'open center' valves.
- The DUAL bypass valve should be disengaged during transportation when the pump is operating constantly and the engine is running at max rpm; the hydraulic system is not sized for the large flow that would otherwise go through it.
- The DUAL valve connects the outlet and inlet ports of the pump, and only a small oil flow goes through the system and to the reservoir.
- The valve is installed directly on top of the pump port surface with 'banjo' fittings and two cap screws (refer to the split view to the right).
- As the DUAL valve is symmetrical it can be 'turned 180°' so as not to interfere with chassis components. The valve can accommodate left hand as well as right hand rotating pumps.
- The valve can only be engaged or disengaged ( through the 24 or 12 VDC solenoid) at low system pressures (below 20 bar).

### IMPORTANT INFORMATION

- In order to secure a cooling flow through the system, a separate drain line **must** be connected from the BPV-pump drain line fitting (shown in the split view) directly to tank; refer also to the schematic.
- The pressure connectors must be tightened (to 50 Nm) before the suction fitting clamp screws are tightened.



Bypass valve circuit schematic (example).



Bypass valve split view without manual override (with dual flow pump end cap).

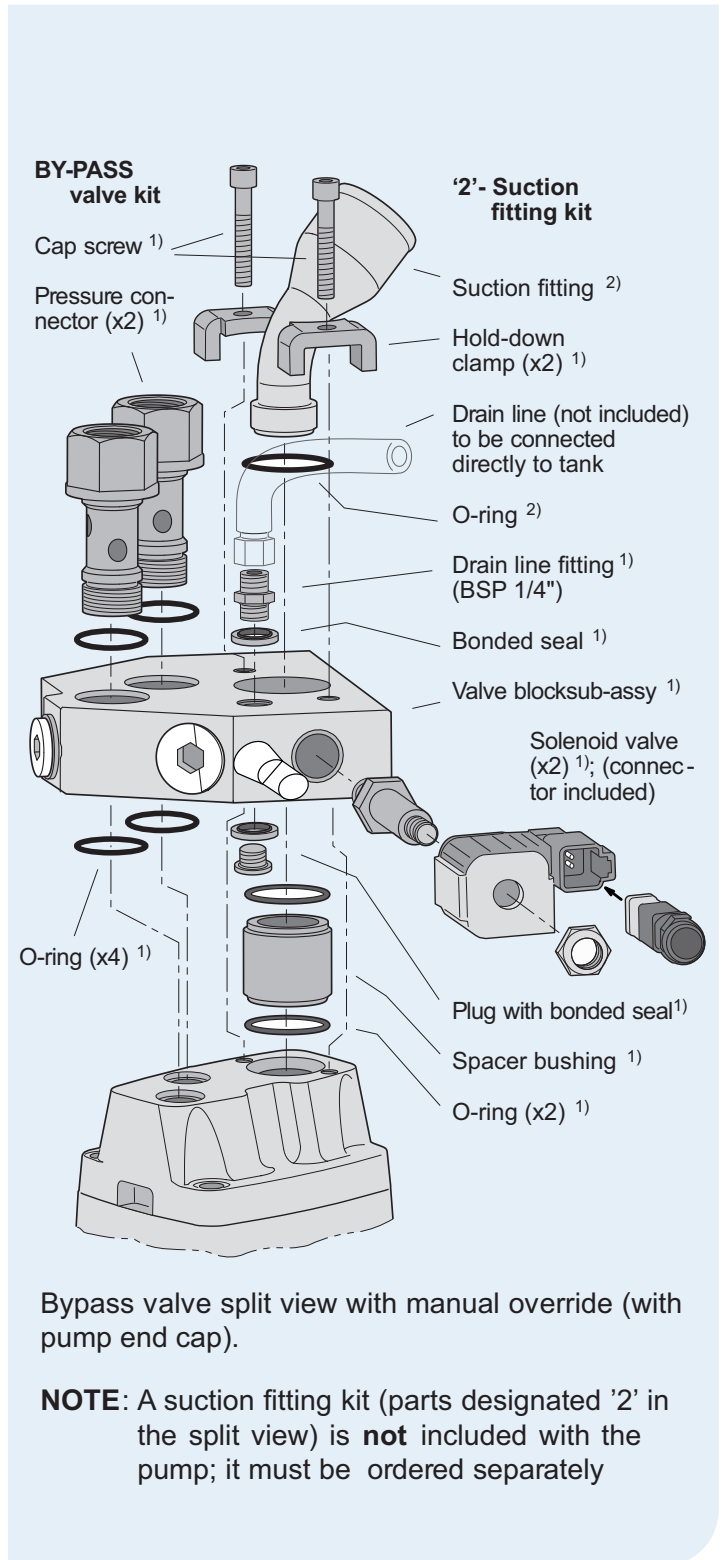
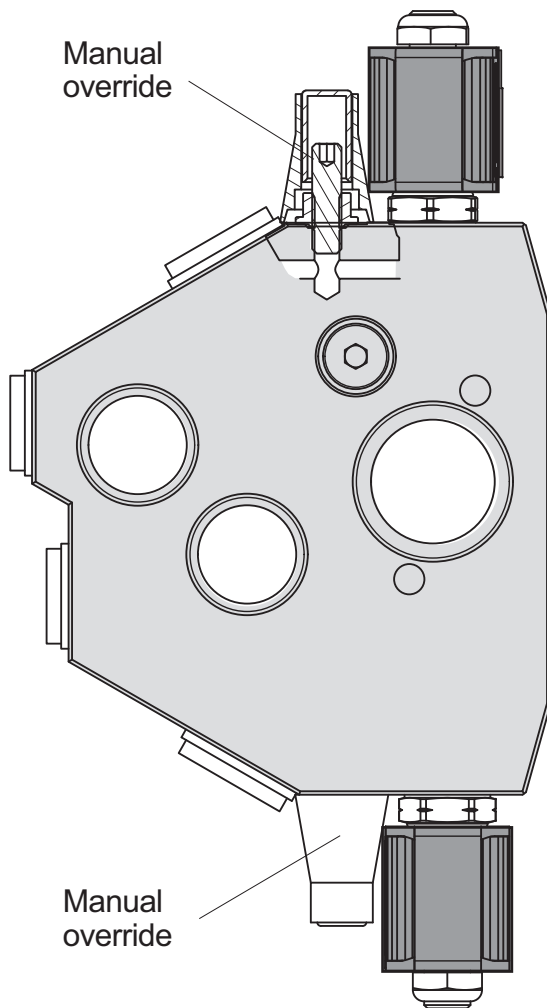
**NOTE:** A suction fitting kit (parts designated '2' in the split view) is **not** included with the pump; it must be ordered separately.

### Bypass valve (Dual Flow Pump)

Without manual override

Bypass valve, type	Dual Flow Pump
Max pressure, continuous	350 bar
intermittent	400 bar
Solenoid voltage (option)	24 VDC, (12 VDC)
Power requirement	14 W (each solenoid)
Operating mode	Activated solenoid: Check valve closed

Bypass valve <sup>1)</sup>	Voltage	Ordering number	Dual Flow	Torque <sup>3)</sup>
ByPass	24 VDC	<b>2400 565</b>	42/42, 53/53, 55/28, 70/35, 70/70	50 Nm
	12 VDC	<b>1200 565</b>		



## Complete Product Range

### Bent Axis Piston Motors

K2FM (DIN) Bent Axis Motor  
K3FH (HYBRID) Bent Axis Motor  
A2MS (SAE) Bent Axis Motor  
A3MS (SAE2) Bent Axis Motor  
A2FM (ISO) Bent Axis Motor  
A2FE (Fixed Plugin) Bent Axis Motor  
A2FE (Two Speed) Bent Axis Motor  
A2FT 45 (Inline) Bent Axis Motor

### Bent Axis Piston Pumps

K2FA (DIN) Bent Axis Pump  
K2FH (HYBRID) Bent Axis Pump  
K2FL (Aluminum) Bent Axis Pump  
A2FS (SAE) Bent Axis Pump  
A3FS (SAE2) Bent Axis Pump  
A2FO (ISO) Bent Axis Pump  
A3FO (ISO2) Bent Axis Pump  
A2FP (Fixed Plugin) Bent Axis Pump

### Variable Displacement Motors

AXMV Variable Piston Motor  
AXMA Variable Piston Motor  
AXMI Variable Piston Motor

### Variable Displacement Pumps

AXVP Variable Piston Motor  
AXVA Variable Piston Motor  
AXVI Variable Piston Motor

### Dual Flow Piston Pumps

A2FD (DIN) Dual Flow Pumps  
A2FD (SAE) Dual Flow Pumps  
A2PD Axial Dual Output Pumps

### Axial Piston & Gear Pumps

A3PP Axial Piston Pumps  
A3PH High Pressure Pumps  
A2GP Gear Pumps  
A2GPT Tandem Gear Pumps  
A2GM Gear Motors  
A2GMT Tandem Gear Motors

### Valve (ByPass) (Flushing) (Cavitation)

Circulation Valve  
ByPass Valve  
Anti-Cavitation Valve  
Flushing Valve  
LS Valve  
AntiShock Valve  
Speed Sensor

### Hydraulic Spare Parts

Suction Fittings  
Couplars  
Adapters  
Flanges  
Power Take Off  
Monoblock Valve  
Section Valve



## Hydraulic Pumps, Motors

Bent Axis Hydraulic Piston Motors, Bent Axis Hydraulic Piston Pumps, Dual Flow Pumps, Variable Displacement Piston Pumps, Variable Displacement Piston Motors, Axial Piston Pumps, High Pressure Piston Pumps, Gear Pumps, Gear Motors, Hydraulic Valve.

[www.HIDRAPAC.com](http://www.HIDRAPAC.com)

### Address;

#### HIDRAPAC HİDROLİK İÇ VE DIŞ TİC LTD ŞTİ

Address; Fevzicakmak Mah. Sıla Cad. Kobisan 3 San. Sit.  
No:73 / C Karatay – Konya, PO Code; 42050, Türkiye

Phone; +90 551 111 77 44

VAT Number; 462 077 9143

[www.HIDRAPAC.com](http://www.HIDRAPAC.com)

[MAIL@HIDRAPAC.com](mailto:MAIL@HIDRAPAC.com)

[INFO@HIDRAPAC.com](mailto:INFO@HIDRAPAC.com)

Hidrapac **Store**

[www.HIDRAPAC.com.tr](http://www.HIDRAPAC.com.tr)

Hidrapac **Premium**

[www.HIDRAPACHYDRAULIC.com](http://www.HIDRAPACHYDRAULIC.com)